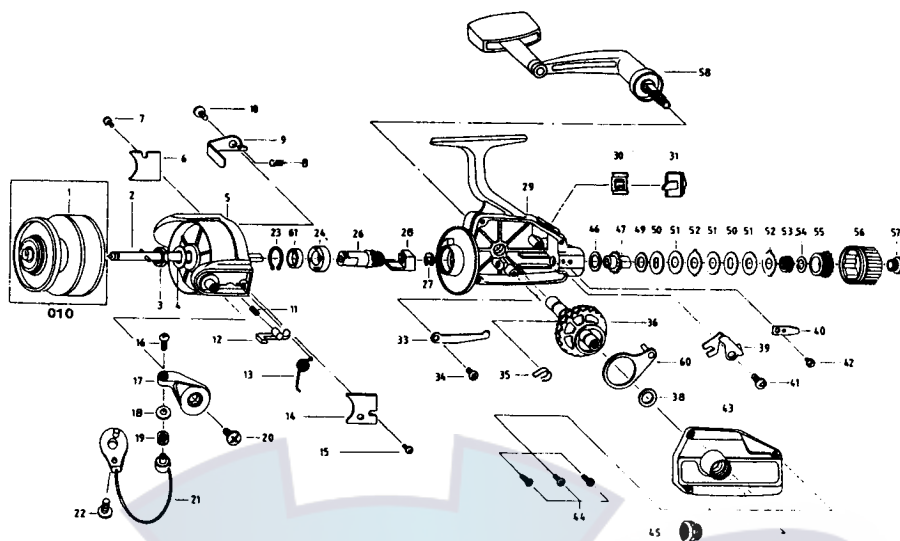


# SILSTAR AX-2650



REF. NO.	PART NO.	DESCRIPTION	REF. NO.	PART NO.	DESCRIPTION
1	001-0410	SPOOL A'SSY	32		
2	002-0310	MAIN SHAFT A'SSY	33	033-0310	CLICK CLAW
3	003-0210	ROTOR NUT	34	034-0310	CLICK CLAW S/C
4	004-0210	ROTOR WASHER	35	035-0310	ANTI-R-CLAW A/D
5	005-0410	ROTOR	36	036-0310	DRIVE GEAR
6	006-0410	BAIL HOLDER C/O	37		
7	007-0410	BAIL HOLDER C/O S/C	38	038-0310	DRIVE GEAR A/D W/S
8	008-0110	BAIL KICK LEVER S/P	39	039-0310	ANTI-R-CLAW
9	009-0410	BAIL KICK LEVER	40	040-0310	DRAG LEAF S/P
10	010-0310	BAIL KICK LEVER S/C	41	041-0310	ANTI-R-CLAW S/C
11	011-0310	BAIL STOPPER S/P	42	042-0310	DRAG LEAF S/P S/C
12	012-0410	BAIL STOPPER	43	043-0410	BODY COVER A'SSY
13	013-0310	BAIL SPRING	44	044-0410	BODY COVER S/C
14	014-0410	ARM LEVER C/O	45	045-0310	HANDLE SCREW CAP
15	015-0410	ARM LEVER C/O S/C	46	046-0310	WASHER
16	016-0410	LINE SLIDER S/C	47	047-0310	CLICK METAL
17	017-0310	ARM LEVER	48		
18	018-0410	LINE ROLLER COLLAR	49	049-0310	DISK B WASHER
19	019-0310	LINE ROLLER	50	050-0310	DISK D WASHER
20	020-0210	ARM LEVER S/C	51	051-0310	DISK C WASHER
21	021-0410	BAIL A'SSY	52	052-0310	DISK A WASHER
22	022-0210	BAIL HOLDER S/C	53	053-0310	COIL SPRING
23	023-0210	RETAINER RING	54	054-0310	PRESSURE WASHER
24	024-0410	BEARING	55	055-0310	PRESSURE
25			56	056-0310	DRAG KNOB A'SSY
26	026-0410	PINION	57	057-0310	DRAG KNOB S/C
27	027-0310	RETAINER	58	058-0410	HANDLE A'SSY
28	028-0310	O/S HOLDER	59		
29	029-0410	BODY A'SSY	60	060-0310	O/S SLIDER
30	030-0310	LEAF SPRING	61	061-0410	COLLAR
31	031-0310	ANTI-R-LEVER			

PARTS LIST FOR 2650 REEL