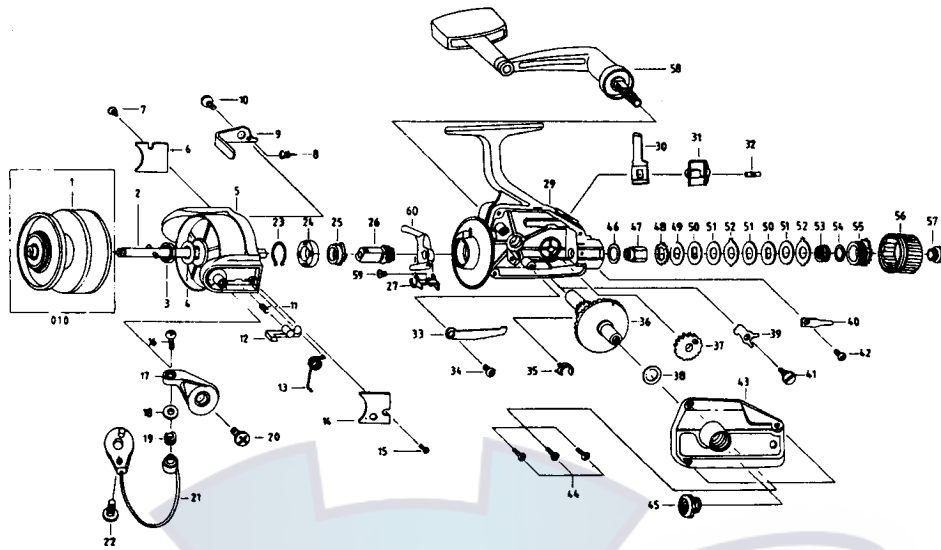


# SILSTAR AX-2670



REF. NO.	PART NO.	DESCRIPTION	REF. NO.	PART NO.	DESCRIPTION
1	001-0210	SPOOL A'SSY	31	031-0110	ANTI-R-LEVER
2	002-0110	MAIN SHAFT A'SSY	32	032-0110	PIN
3	003-0210	ROTOR NUT	33	033-0110	CLICK CLAW
4	004-0210	ROTOR WASHER	34	034-0110	CLICK CLAW S/C
5	005-0210	ROTOR	35	035-0110	ANTI-R-CLAW A/D
6	006-0210	BAIL HOLDER COVER	36	036-0110	DRIVE GEAR
7	007-0110	BAIL HOLDER C/O S/C	37	037-0110	O/S GEAR
8	008-0110	BAIL KICK LEVER S/P	38	038-0110	DRIVE GEAR A/D W/S
9	009-0110	BAIL KICK LEVER	39	039-0110	ANTI-R-CLAW
10	010-0110	BAIL KICK LEVER S/C	40	040-0110	DRAG LEAF S/P
11	011-0110	BAIL STOPPER S/P	41	041-0110	ANTI-R-CLAW S/C
12	012-0210	BAIL STOPPER	42	042-0110	DRAG LEAF S/P S/C
13	013-0110	BAIL SPRING	43	043-0210	BODY COVER A'SSY
14	014-0210	ARM LEVER COVER	44	044-0210	BODY COVER S/C
15	015-0210	ARM LEVER COVER S/C	45	045-0110	HANDLE SCREW CAP
16	016-0210	LINE SLIDER S/C	46	046-0110	WASHER
17	017-0110	ARM LEVER	47	047-0110	CLICK METAL
18	018-0210	LINE ROLLER COLLAR	48	048-0110	CLICK GEAR
19	019-0110	LINE ROLLER	49	049-0110	DISK B WASHER
20	020-0210	ARM LEVER S/C	50	050-0110	DISK D WASHER
21	021-0210	BAIL A'SSY	51	051-0110	DISK C WASHER
22	022-0210	BAIL HOLDER S/C	52	052-0110	DISK A WASHER
23	023-0210	RETAINER RING	53	053-0110	COIL SPRING
24	024-0210	BEARING	54	054-0110	PRESSURE WASHER
25	025-0110	RATCHET	55	055-0110	PRESSURE
26	026-0210	PINION	56	056-0110	DRAG KNOB A'SSY
27	027-0110	RETAINER	57	057-0110	DRAG KNOB S/C
28			58	058-0210	HANDLE A'SSY
29	029-0210	BODY A'SSY	59	059-0110	SCREW
30	030-0110	LEAF SPRING	60	060-0110	O/S SLIDER

PARTS LIST 2670 REEL