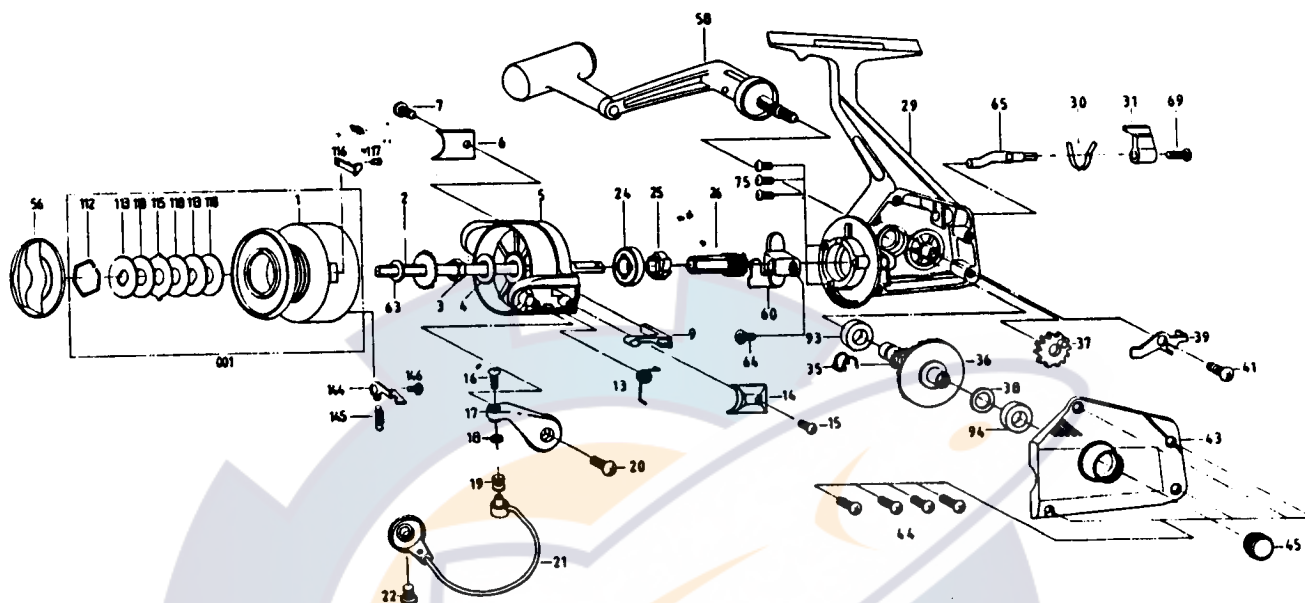


SILSTAR

BT50



REF.NO	PART NO.	DESCRIPTION	PRICE	REF. NO.	PART NO.	DESCRIPTION	PRICE
1	001-5302	SPOOL ASSY	\$5.75	30	030-4218	LEAF S/P	\$0.35
2	002-4247	MAIN SHAFT ASSY	\$1.10	31	031-4218	ANTI-R-LEVER	\$0.35
3	003-0110	ROTOR NUT	\$0.35	35	030-4213	ANTI-R-CLAW ADJ	\$0.35
4	004-0110	ROTOR W/S	\$0.35	36	036-4222	DRIVE GEAR	\$0.75
5	005-4242	ROTOR	\$1.60	37	037-2810	O/S GEAR	\$0.35
6	006-4225	B/H C/O	\$0.35	38	038-4211	DRIVE GEAR ADJ W/S	\$0.35
7	007-4211	B/H C/O S/C	\$0.35	39	039-4216	ANTI-R-CLAW	\$0.35
9	009-4222	BAIL K/L	\$0.35	41	041-4214	ANTI-R-CLAW S/C	\$0.35
13	013-4216	BAIL S/P	\$0.35	43	043-4247	BODY C/O	\$1.10
14	006-4225	ARM LEVER C/O	\$0.35	44	044-3010	BODY C/O S/C	\$0.35
15	007-4211	ARM LEVER C/O S/C	\$0.35	45	045-0310	HANDLE S/C CAP	\$0.35
16	016-0410	L-SLIDER S/C	\$0.35	56	056-4230	DRAG KNOB	\$0.75
17	017-4216	ARM LEVER	\$0.35	58	058-4212	HANDLE ASSY	\$4.40
18	018-4219	L-SLIDER W/S	\$0.35	60	060-4220	O/S SLIDER	\$0.35
19	019-1810	L-ROLLER	\$0.90	63	063-0910	SPOOL ADJ W/S	\$0.35
20	057-0710	ARM LEVER S/C	\$0.35	64	075-1810	SCEW	\$0.35
21	021-4241	BAIL ASSY	\$1.60	65	065-4217	ANTI-R-CAM	\$0.35
22	057-0710	B/H S/C	\$0.35	69	069-1310	SCREW	\$0.35
24	024-4216	BALL BEARING	\$3.10	75	075-4213	SCREW	\$0.35
25	025-4215	RATCHET	\$0.35	93	093-4217	BEARING	\$4.40
26	026-4225	PINION	\$1.25	94	093-4217	BEARING	\$4.40
29	029-4261	BODY	\$3.90				

PARTS LIST FOR SILSTAR : BT50

* When ordering parts for your Silstar reel, be sure to include the following:

- 1) Complete Model Number and Letter. Example: BT 80 B
- 2) Specify Color for FX, BT, CX, ER, EC series reels.