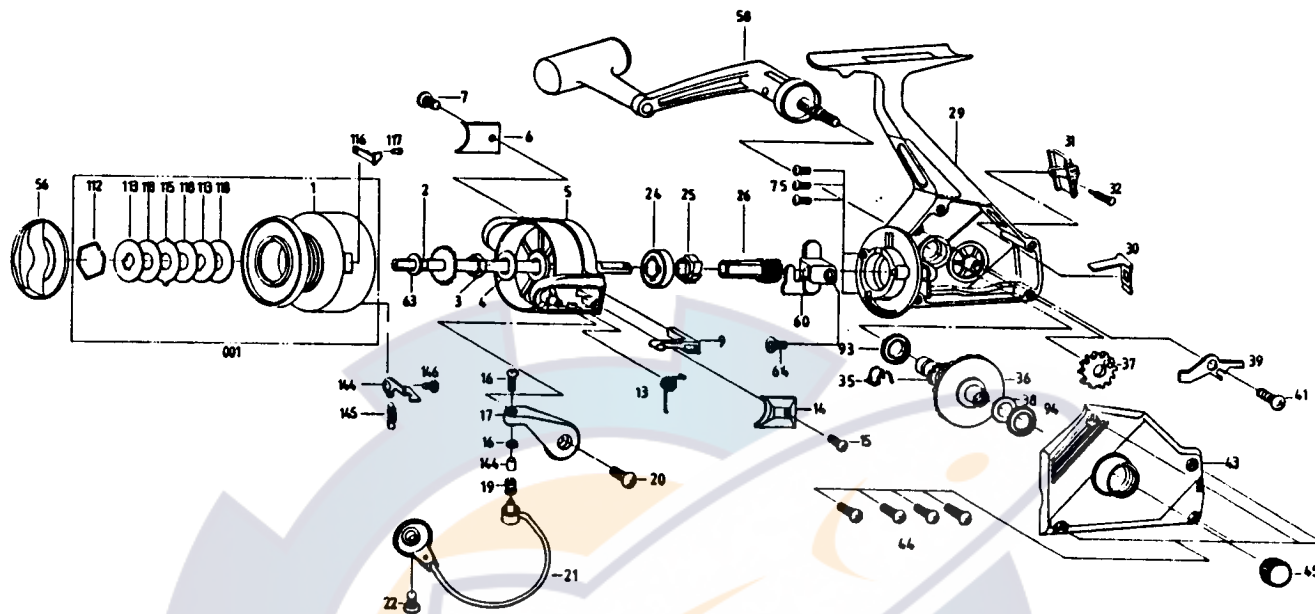


SILSTAR

BT60B



REF.NO	PART NO.	DESCRIPTION	PRICE	REF. NO.	PART NO.	DESCRIPTION	PRICE
1	001-5132	SPOOL ASSY	\$6.50	30	030-5132	LEAF S/P	\$0.35
2	002-4248	MAIN SHAFT ASSY	\$2.30	31	031-5132	ANTI-R-LEVER	\$0.35
3	003-0210	ROTOR NUT	\$0.35	32	032-5132	PIN	\$0.35
4	004-0210	ROTOR W/S	\$0.35	35	035-4213	ANTI-R-CLAW ADJ S/P	\$0.35
5	005-4243	ROTOR	\$2.65	36	036-4222	DRIVE GEAR	\$0.75
6	006-4218	B/H C/O	\$0.35	37	037-0110	O/S GEAR	\$0.35
7	007-4211	B/H C/O S/C	\$0.35	38	038-0110	DRIVE GEAR ADJ W/S	\$0.35
9	009-4220	BAIL K/L	\$0.35	39	039-4223	ANTI-R-CLAW	\$0.35
13	013-4217	BAIL S/P	\$0.35	41	041-4214	ANTI-R-CLAW S/C	\$0.35
14	006-4218	ARM LEVER C/O	\$0.35	43	043-5132	BODY C/O	\$1.10
15	007-4211	ARM LEVER C/O S/C	\$0.35	44	044-3010	BODY C/O S/C	\$0.35
16	016-4216	L-SLIDER S/C	\$0.35	45	045-0110	HANDLE S/C CAP	\$0.35
17	017-4218	ARM LEVER	\$0.60	56	056-4233	DRAG KNOB	\$0.60
18	018-4216	L-SLIDER W/S	\$0.35	58	058-1210	HANDLE ASSY	\$4.40
19	019-4212	L-ROLLER	\$0.90	60	060-4222	O/S SLIDER	\$0.35
20	020-4212	ARM LEVER S/C	\$0.35	63	063-1210	SPOOL ADJ W/S	\$0.35
21	021-4237	BAIL ASSY	\$1.60	64	059-0110	ANTI-R-CAM	\$0.35
22	020-4212	B/H S/C	\$0.35	69	069-1310	SCREW	\$0.35
24	024-4216	BALL BEARING	\$3.10	75	075-4214	SCREW	\$0.35
25	025-4212	RATCHET	\$0.25	93	093-4217	BEARING	\$3.70
26	026-4226	PINION	\$1.60	94	093-4217	BEARING	\$3.70
29	029-4259	BODY	\$3.90	144	144-5132	L-ROLLER BUSHING	\$0.35

PARTS LIST FOR SILSTAR : BT60B

* When ordering parts for your Silstar reel, be sure to include the following:

- 1) Complete Model Number and Letter. Example: BT 80 B
- 2) Specify Color for FX, BT,CX,ER,EC series reels.