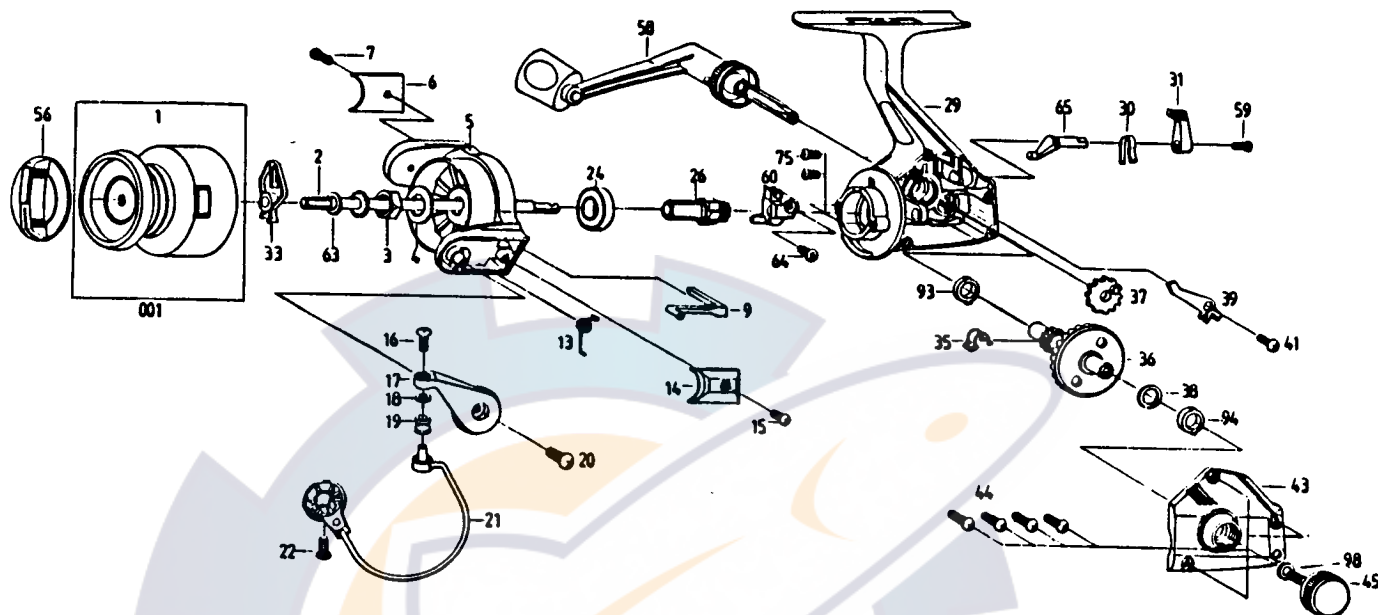


# SILSTAR

CT35



| REF.NO | PART NO. | DESCRIPTION       | PRICE  | REF. NO. | PART NO. | DESCRIPTION        | PRICE  |
|--------|----------|-------------------|--------|----------|----------|--------------------|--------|
| 1      | 001-4250 | SPOOL ASSY        | \$2.25 | 31       | 031-4217 | A-R-LEVER          | \$0.35 |
| 2      | 002-4246 | MAIN SHAFT ASSY   | \$1.80 | 33       | 033-4214 | CLICK CLAW         | \$0.35 |
| 3      | 003-0110 | ROTOR NUT         | \$0.35 | 35       | 035-4216 | A-R-CLAW ADJ S/P   | \$0.35 |
| 4      | 004-0110 | ROTOR W/S         | \$0.35 | 36       | 036-4220 | DRIVE GEAR         | \$1.80 |
| 5      | 005-4238 | ROTOR             | \$1.80 | 37       | 037-2610 | O/S GEAR           | \$0.35 |
| 6      | 006-4223 | B/H C/O           | \$0.35 | 38       | 038-0710 | DRIVE GEAR ADJ W/S | \$0.35 |
| 7      | 007-4214 | B/H C/O S/C       | \$0.35 | 39       | 039-4222 | A-R-CLAW           | \$0.35 |
| 9      | 009-4221 | BAIL K/L          | \$0.35 | 41       | 075-4217 | A-R-CLAW S/C       | \$0.35 |
| 13     | 013-4218 | BAIL S/P          | \$0.35 | 43       | 043-4252 | BODY C/O ASSY      | \$0.90 |
| 14     | 006-4223 | ARM LEVER C/O     | \$0.35 | 44       | 044-4215 | BODY C/O S/C       | \$0.35 |
| 15     | 007-4214 | ARM LEVER C/O S/C | \$0.35 | 45       | 045-4217 | HANDLE S/C CAP     | \$0.60 |
| 16     | 016-4215 | L-SLIDER S/C      | \$0.35 | 56       | 056-4229 | DRAG KNOB ASSY     | \$1.10 |
| 17     | 017-4219 | ARM LEVER         | \$0.35 | 58       | 058-2110 | HANDLE ASSY        | \$3.00 |
| 18     | 018-4214 | L-SLIDER W/S      | \$0.35 | 59       | 044-0910 | A-R-CAM S/C        | \$0.35 |
| 19     | 019-0710 | L-ROLLER          | \$0.35 | 60       | 060-4219 | O/S SLIDER         | \$0.35 |
| 20     | 041-4214 | ARM LEVER         | \$0.35 | 63       | 063-4213 | SPOOL ADJ W/S      | \$0.35 |
| 21     | 021-4232 | BAIL ASSY         | \$1.10 | 64       | 075-1810 | O/S HOLDER S/C PIN | \$0.35 |
| 22     | 041-4214 | B/H S/C           | \$0.35 | 65       | 065-4220 | A-R-CAM            | \$0.60 |
| 24     | 024-0110 | BALL BEARING      | \$1.60 | 75       | 075-4217 | BEARING PLATE S/C  | \$0.35 |
| 26     | 026-4223 | PINION/RATCHET    | \$1.65 | 93       | 093-4214 | BEARING            | \$0.35 |
| 29     | 029-4252 | BODY ASSY         | \$2.50 | 94       | 093-4214 | BEARING            | \$0.35 |
| 30     | 030-4217 | LEAF S/P          | \$0.35 | 98       | 098-4211 | NYLON W/S          | \$0.35 |

**PARTS LIST FOR SILSTAR : CT35**

\* When ordering parts for your Silstar reel, be sure to include the following:

- 1) Complete Model Number and Letter. Example: BT 80 B
- 2) Specify Color for FX, BT,CX,ER,EC series reels.