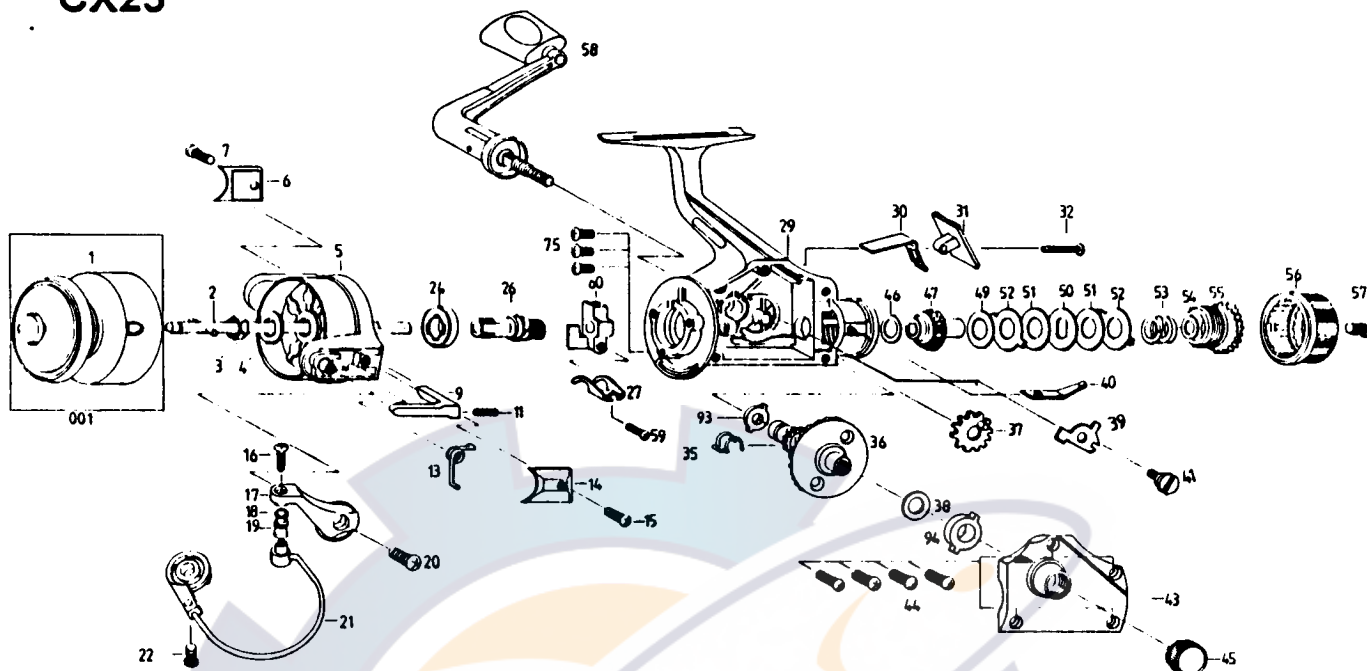


SILSTAR

CX25



REF.NO	PART NO.	DESCRIPTION	PRICE	REF. NO.	PART NO.	DESCRIPTION	PRICE
1	001-4260	SPOOL ASSY	\$2.25	36	036-4221	DRIVE GEAR	\$2.15
2	002-4240	MAIN SHAFT ASSY	\$1.10	37	037-2610	O/S GEAR	\$0.35
3	003-0110	ROTOR NUT	\$0.35	38	038-0710	DRIVE GEAR ADJ W/S	\$0.35
4	004-0110	ROTOR W/S	\$0.35	39	039-4223	A-R-CLAW	\$0.35
5	005-4232	ROTOR ASSY	\$2.30	40	040-1810	DRAG LEAF S/P	\$0.35
6	006-4219	B/H C/O	\$0.35	41	075-4217	A-R-CLAW S/C	\$0.35
7	007-0410	B/H C/O S/C	\$0.35	43	043-4233	BODY C/O ASSY	\$1.95
9	009-4219	BAIL K/L	\$0.35	44	044-3010	BODY C/O S/C	\$0.35
11	011-4211	K/L S/P	\$0.35	45	045-0710	HANDLE S/C CAP	\$0.35
13	013-4218	BAIL S/P	\$0.35	46	046-4211	WASHER	\$0.35
14	006-4219	ARM LEVER C/O	\$0.35	47	047-1810	CLICK METAL	\$0.35
15	007-0410	ARM LEVER C/O S/C	\$0.35	49	049-1810	B W/S	\$0.35
16	016-2610	L-SLIDER S/C	\$0.35	50	050-1810	D W/S	\$0.35
17	017-4211	ARM LEVER	\$0.35	51	051-1810	C W/S	\$0.35
18	018-4214	L-SLIDER W/S	\$0.35	52	052-1810	A W/S	\$0.35
19	019-0710	L-ROLLER	\$0.35	53	053-4212	COIL S/P	\$0.35
20	057-0710	ARM LEVER S/C	\$0.35	54	054-1810	PRESSURE W/S	\$0.35
21	021-4229	BAIL ASSY	\$1.25	55	055-1810	PRESSURE	\$0.35
22	057-0710	B/H S/C	\$0.35	56	056-4213	DRAG KNOB	\$0.35
24	093-4214	BALL BEARING	\$1.80	57	057-0710	DRAG S/C	\$0.35
26	026-4223	PINION/RATCHET	\$1.00	58	058-4211	HANDLE ASSY	\$3.35
27	027-4211	RETAINER	\$0.35	59	007-4212	O/S SLIDER S/C	\$0.35
29	029-4237	BODY ASSY	\$4.60	60	060-4211	O/S SLIDER	\$0.35
30	030-4214	LEAF S/P	\$0.35	75	075-4213	BEARING S/C	\$0.35
31	031-4213	A-R-LEVER	\$0.35	93	093-4214	BEARING	\$0.35
32	032-0110	PIN	\$0.35	94	093-4214	BEARING	\$0.35
35	035-4216	A-R-CLAW S/P	\$0.35				

PARTS LIST FOR SILSTAR : CX25

* When ordering parts for your Silstar reel, be sure to include the following:

- 1) Complete Model Number and Letter. Example: BT 80 B
- 2) Specify Color for FX, BT, CX, ER, EC series reels.