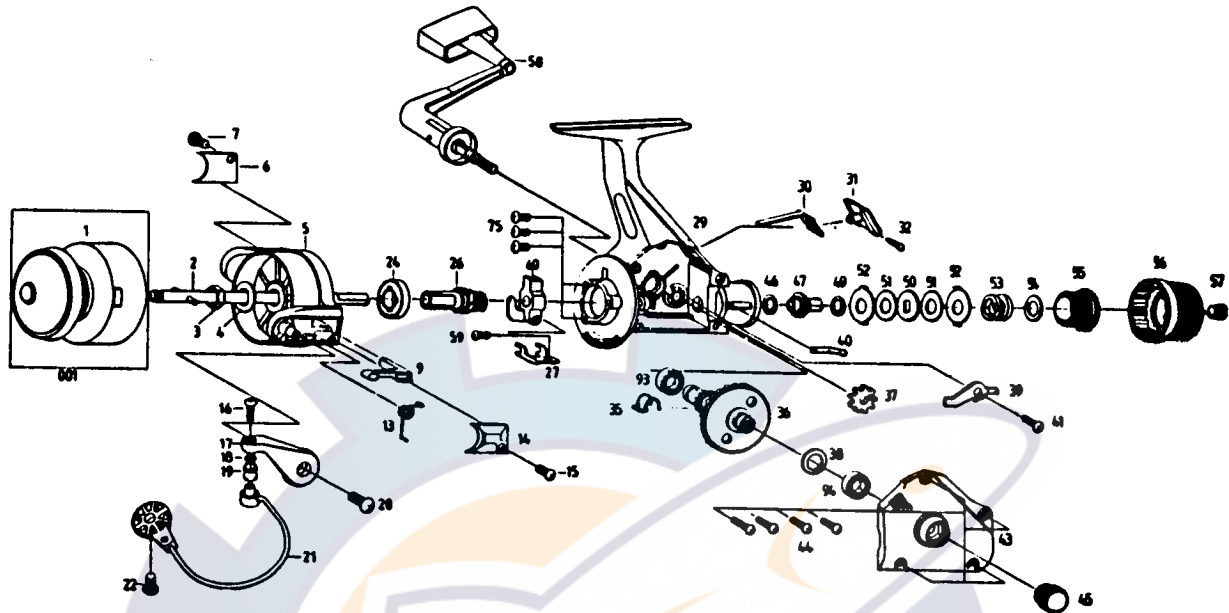


# SILSTAR

CX30B



REF.NO	PART NO.	DESCRIPTION	PRICE	REF. NO.	PART NO.	DESCRIPTION	PRICE
1	001-4234	SPOOL ASSY	\$2.25	37	037-2610	O/S GEAR	\$0.35
2	002-4233	MAIN SHAFT ASSY	\$1.10	38	038-0710	DRIVE GEAR ADJ W/S	\$0.35
3	003-0710	ROTOR NUT	\$0.35	39	039-4215	A-R-CLAW	\$0.35
4	004-0710	ROTOR W/S	\$0.35	40	040-5170	DRAG LEAF S/P	\$0.35
5	005-4224	ROTOR ASSY	\$2.30	41	041-4214	A-R-CLAW S/C	\$0.35
6	006-4215	B/H C/O	\$0.35	43	043-5170	BODY C/O ASSY	\$1.95
7	007-4211	B/H C/O S/C	\$0.35	44	044-5170	BODY C/O S/C	\$0.35
9	009-4215	BAIL K/L	\$0.35	45	045-0710	HANDLE S/C CAP	\$0.35
13	013-4215	BAIL S/P	\$0.35	46	046-4215	WASHER	\$0.35
14	006-4215	ARM LEVER C/O	\$0.35	47	047-4214	CLICK METAL	\$0.35
15	007-4211	A-R-LEVER C/O S/C	\$0.35	49	049-4212	B W/S	\$0.35
16	016-2610	L-SLIDER S/C	\$0.35	50	050-5170	D W/S	\$0.35
17	017-4215	ARM LEVER	\$1.10	51	051-5170	C W/S	\$0.35
18	018-4214	L-ROLLER COLLAR	\$0.35	52	052-4213	A W/S	\$0.35
19	019-0710	L-ROLLER	\$0.35	53	053-4215	COIL S/P	\$0.35
20	020-4211	ARM LEVER S/C	\$0.35	54	054-1810	PRESSURE W/S	\$0.35
21	021-5170	BAIL ASSY	\$1.25	55	055-4214	PRESSURE	\$0.35
22	020-4211	B/H S/C	\$0.35	56	056-5170	DRAG KNOB	\$0.35
24	024-0710	BALL BEARING	\$1.80	57	057-5170	DRAG S/C	\$0.35
26	026-4214	PINION/RATCHET	\$1.00	58	058-2110	HANDLE ASSY	\$3.35
27	027-2610	RETAINER	\$0.35	59	059-1810	RETAINER S/C	\$0.35
29	029-5170	BODY ASSY	\$4.60	60	060-2610	O/S SLIDER	\$0.35
30	030-5170	LEAF S/P	\$0.35	75	075-4213	BEARING S/C	\$0.35
31	031-5170	A-R-LEVER	\$0.35	93	093-5170	BEARING	\$0.35
32	032-5170	PIN	\$0.35	94	093-5170	BEARING	\$0.35
35	035-1810	A-R-CLAW S/P	\$0.35				
36	036-1810	DRIVE GEAR	\$2.15				

**PARTS LIST FOR SILSTAR : CX30B**

\* When ordering parts for your Silstar reel, be sure to include the following:

- 1) Complete Model Number and Letter. Example: BT 80 B
- 2) Specify Color for FX, BT,CX,ER,EC series reels.