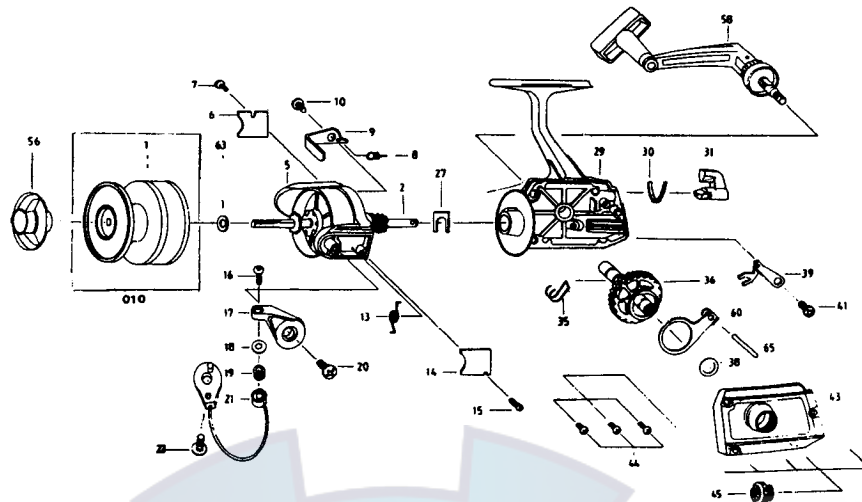


# SILSTAR ET-2040



REF NO.	PART NO.	DESCRIPTION	REF NO.	PART NO.	DESCRIPTION
1	001-1010	SPOOL A'SSY	22	022-0110	BAIL HOLDER S/C
2	002-1010	MAIN SHAFT A'SSY	27	027-1010	RETAINER
5	005-0910	ROTOR	29	029-1010	BODY A'SSY
6	006-0910	BAIL HOLDER COVER	30	030-1010	LEAF SPRING
7	007-0310	BAIL HOLDER C/O S/C	31	031-1010	ANTI-R-LEVER
8	008-0110	BAIL KICK LEVER S/P	35	035-0310	ANTI-R-CLAW A/D
9	009-0910	BAIL KICK LEVER	36	036-0310	DRIVE GEAR
10	010-0310	BAIL KICK LEVER S/C	38	038-0310	DRIVE GEAR A/D W/S
13	013-0910	BAIL SPRING	39	039-1010	ANTI-R-CLAW
14	014-1010	ARM LEVER COVER	41	041-0310	ANTI-R-CLAW S/C
15	015-0310	ARM LEVER C/O S/C	43	043-1010	BODY COVER A'SSY
16	016-0310	LINE SLIDER S/C	44	044-1010	BODY COVER S/C
17	017-0910	ARM LEVER	45	045-0310	HANDLE S/C CAP
18	018-0310	LINE ROLLER COLLAR	56	056-0910	DRAG KNOB A'SSY
19	019-0310	LINE ROLLER	58	058-1010	HANDLE A'SSY
20	020-0110	ARM LEVER, S/C	60	060-1010	O/S SLIDER
21	021-1010	BAIL A'SSY	63	063-0910	SPOOL A/D WASHER

PARTS LIST FOR 2040 REEL