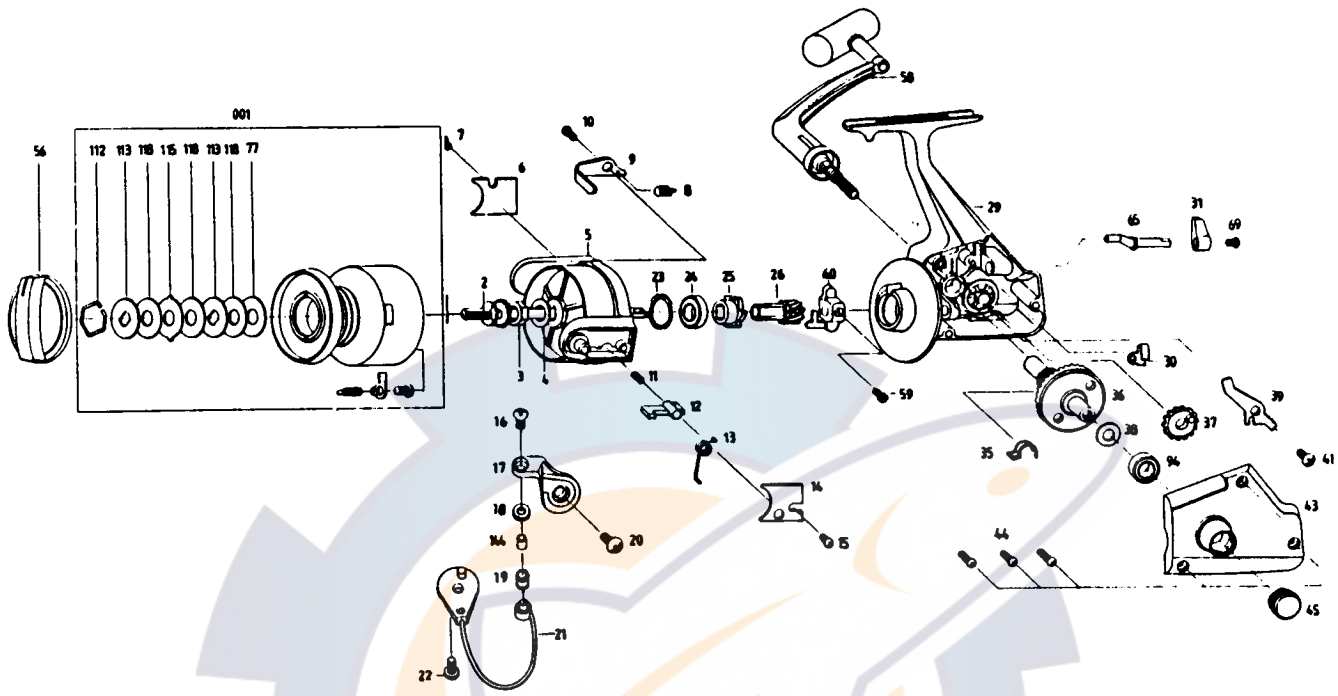


SILSTAR

ET60B



REF.NO	PART NO.	DESCRIPTION	PRICE	REF. NO.	PART NO.	DESCRIPTION	PRICE
1	001-4223	SPOOL ASSY	\$3.50	24	024-0110	BALL BEARING	\$1.95
2	002-6000	MAIN SHAFT ASSY	\$1.95	25	025-4216	RATCHET	\$0.35
3	003-0110	ROTOR NUT	\$0.35	26	026-4221	PINION	\$1.80
4	004-0110	ROTOR W/S	\$0.35	29	029-6000	BODY ASSY	\$5.45
5	005-6000	ROTOR	\$3.00	30	030-1210	A-R-CAM S/P	\$0.35
6	006-4210	B/H C/O	\$0.35	31	031-4210	A-R-LEVER	\$0.35
7	016-0110	B/H S/C	\$0.35	35	035-1210	A-R-CLAW ADJ S/P	\$0.35
8	008-0110	BAIL K/L S/P	\$0.35	36	036-1210	DRIVE GEAR	\$1.80
9	009-4210	BAIL K/L	\$0.35	37	037-0110	O/S GEAR	\$0.35
10	016-0110	BAIL K/L S/C	\$0.35	38	038-0110	DRIVE GEAR ADJ W/S	\$0.35
11	011-6000	BAIL STOPPER S/P	\$0.35	39	039-4210	A-R-CLAW	\$0.35
12	012-6000	BAIL STOPPER	\$0.35	41	020-0110	A-R-CLAW S/C	\$0.35
13	013-1210	BAIL S/P	\$0.35	43	043-6000	BODY C/O ASSY	\$1.45
14	014-1210	ARM LEVER C/O	\$0.35	44	044-0110	BODY C/O S/C	\$0.35
15	042-0110	ARM LEVER S/C	\$0.35	45	045-0110	HANDLE S/C CAP	\$0.35
16	016-0110	L-SLIDER S/C	\$0.35	56	056-4219	DRAG KNOB ASSY	\$0.75
17	017-1210	ARM LEVER	\$0.90	58	058-4218	HANDLE ASSY	\$3.35
18	018-0110	L-ROLLER COLLAR	\$0.35	59	059-0110	SCREW	\$0.35
19	019-0110	L-ROLLER	\$0.35	60	060-4210	O/S SLIDER	\$0.35
20	020-0110	ARM LEVER S/C	\$0.35	65	065-1610	A-R-CAM	\$0.35
21	021-4218	BAIL ASSY	\$2.15	69	069-1610	A-R-LEVER S/C	\$0.35
22	020-0110	B/H S/C	\$0.35	94	093-0410	BEARING	\$0.35
23	023-0110	RETAINER	\$0.35	144	144-6000	L-BEARING	\$0.35

PARTS LIST FOR SILSTAR : ET60B
 * When ordering parts for your Silstar reel, be sure to include the following:
 1) Complete Model Number and Letter. Example: BT 80 B
 2) Specify Color for FX, BT,CX,ER,EC series reels.