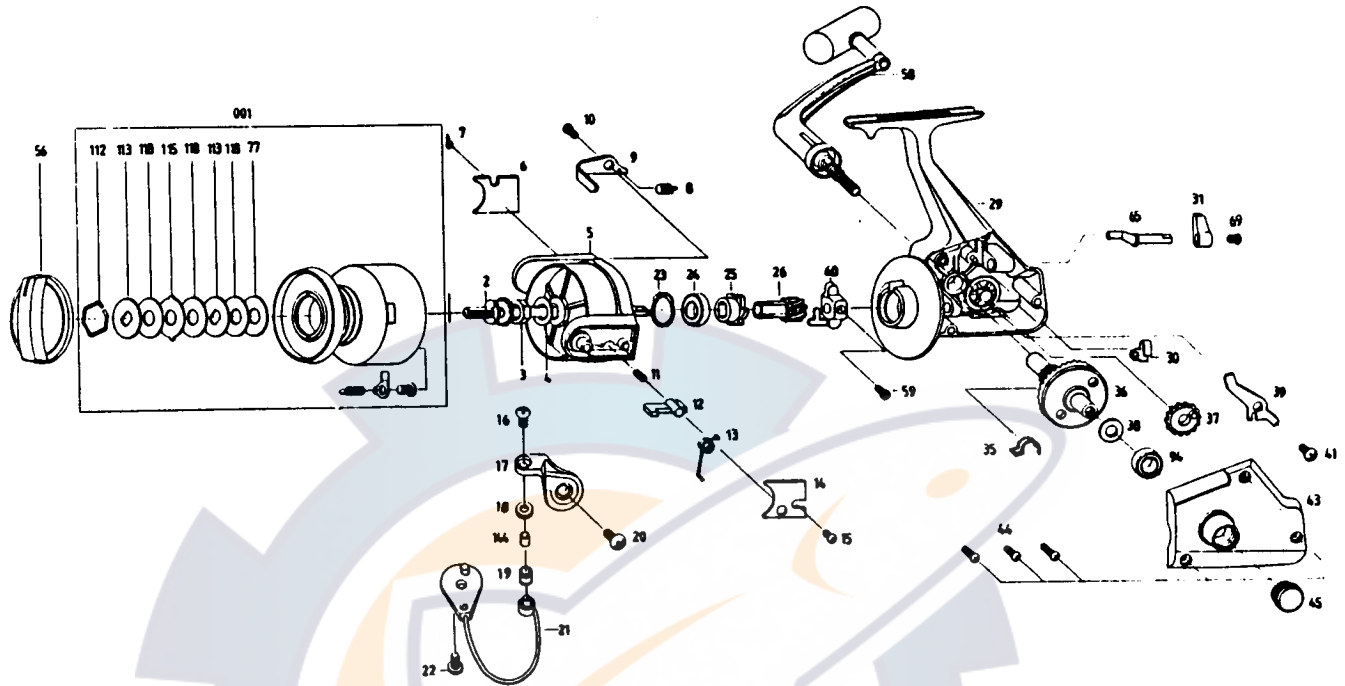


SILSTAR

ET80B



| REF.NO | PART NO. | DESCRIPTION | PRICE | REF. NO. | PART NO. | DESCRIPTION | PRICE |
|--------|----------|------------------|--------|----------|----------|--------------------|--------|
| 1 | 001-4225 | SPOOL ASSY | \$4.50 | 24 | 024-0110 | BALL BEARING | \$1.95 |
| 2 | 002-6002 | MAIN SHAFT ASSY | \$1.95 | 25 | 025-4216 | RATCHET | \$0.35 |
| 3 | 003-0110 | ROTOR NUT | \$0.35 | 26 | 026-4221 | PINION | \$1.80 |
| 4 | 004-1210 | ROTOR W/S | \$0.35 | 29 | 029-6002 | BODY ASSY | \$5.45 |
| 5 | 005-6002 | ROTOR | \$3.00 | 30 | 030-1210 | A-R-CAM S/P | \$0.35 |
| 6 | 006-0110 | B/H C/O | \$0.35 | 31 | 031-1210 | A-R-LEVER | \$0.35 |
| 7 | 042-0110 | B/H S/C | \$0.35 | 35 | 035-1210 | A-R-CLAW ADJ S/P | \$0.35 |
| 8 | 008-0110 | BAIL K/L S/P | \$0.35 | 36 | 036-1210 | DRIVE GEAR | \$1.80 |
| 9 | 009-0110 | BAIL K/L | \$0.35 | 37 | 037-0110 | O/S GEAR | \$0.35 |
| 10 | 010-0110 | BAIL K/L S/C | \$0.35 | 38 | 038-0110 | DRIVE GEAR ADJ W/S | \$0.35 |
| 11 | 011-6000 | BAIL STOPPER S/P | \$0.35 | 39 | 039-1210 | A-R-CLAW | \$0.35 |
| 12 | 012-6000 | BAIL STOPPER | \$0.35 | 41 | 020-0110 | A-R-CLAW S/C | \$0.35 |
| 13 | 013-1210 | BAIL S/P | \$0.35 | 43 | 043-6002 | BODY C/O ASSY | \$1.45 |
| 14 | 014-1210 | ARM LEVER C/O | \$0.35 | 44 | 044-0110 | BODY C/O S/C | \$0.35 |
| 15 | 042-0110 | ARM LEVER S/C | \$0.35 | 45 | 045-0110 | HANDLE S/C CAP | \$0.35 |
| 16 | 016-0110 | L-SLIDER S/C | \$0.35 | 56 | 056-4219 | DRAG KNOB ASSY | \$0.75 |
| 17 | 017-1210 | ARM LEVER | \$0.90 | 58 | 058-1210 | HANDLE ASSY | \$3.35 |
| 18 | 018-0110 | L-ROLLER COLLAR | \$0.35 | 59 | 059-0110 | SCREW | \$0.35 |
| 19 | 019-0110 | L-ROLLER | \$0.35 | 60 | 060-1210 | O/S SLIDER | \$0.35 |
| 20 | 020-0110 | ARM LEVER S/C | \$0.35 | 65 | 065-1610 | A-R-CAM | \$0.35 |
| 21 | 021-4218 | BAIL ASSY | \$2.15 | 69 | 069-1610 | A-R-LEVER S/C | \$0.35 |
| 22 | 020-0110 | B/H S/C | \$0.35 | 94 | 093-0410 | BEARING | \$0.35 |
| 23 | 023-0110 | RETAINER | \$0.35 | 144 | 144-6000 | L-BEARING | \$0.35 |

PARTS LIST FOR SILSTAR : ET80B

* When ordering parts for your Silstar reel, be sure to include the following:

- 1) Complete Model Number and Letter. Example: BT 80 B
- 2) Specify Color for FX, BT,CX,ER,EC series reels.