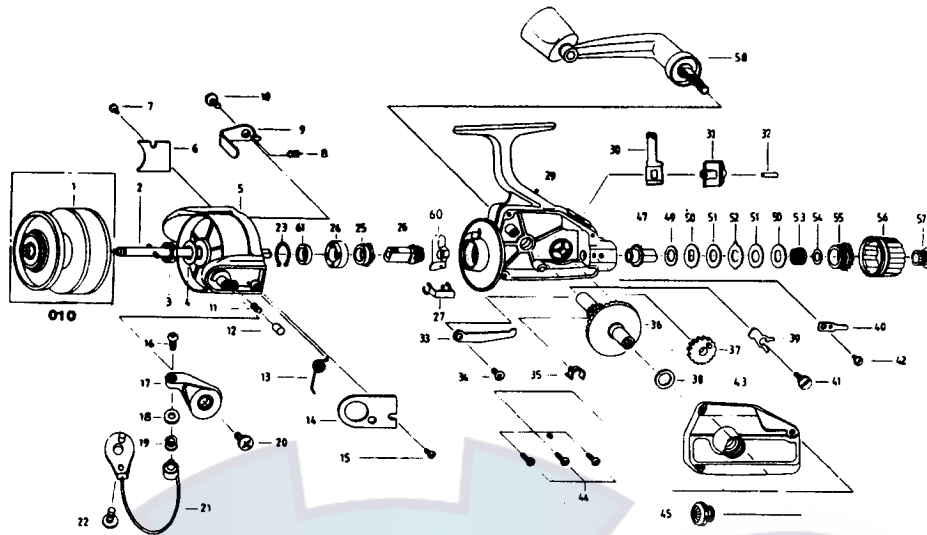


SILSTAR EX-2131



REF. NO.	PART NO.	DESCRIPTION	REF. NO.	PART NO.	DESCRIPTION
1	001-3710	SPOOL A'SSY	32	032-0110	PIN
2	002-0710	MAIN SHAFT A'SSY	33	033-0710	CLICK CLAW
3	003-0710	ROTOR NUT	34	034-0710	CLICK CLAW S/C
4	004-0710	ROTOR WASHER	35	035-0710	ANTI-R-CLAW A/D
5	005-3710	ROTOR	36	036-0710	DRIVE GEAR
6	006-3710	BAIL HOLDER C/O	37	037-0710	O/S GEAR
7	007-0310	BAIL HOLDER C/O S/C	38	038-0710	DRIVE GEAR A/D W/S
8	008-0110	BAIL KICK LEVER S/P	39	039-0710	ANTI-R-CLAW
9	009-0710	BAIL KICK LEVER	40	040-0710	DRAG LEAF S/P
10	010-0710	BAIL KICK LEVER S/C	41	041-0710	ANTI-R-CLAW S/C
11	011-0710	BAIL STOPPER S/P	42	042-0310	DRAG LEAF S/P S/C
12	012-0710	BAIL STOPPER	43	043-3710	BODY COVER A'SSY
13	013-0710	BAIL SPRING	44	044-0710	BODY COVER S/C
14	014-3710	ARM LEVER COVER	45	045-0710	HANDLE SCREW CAP
15	015-0310	ARM LEVER C/O S/C	46		
16	016-0710	LINE SLIDER S/C	47	047-0710	CLICK METAL
17	017-0710	ARM LEVER	48		
18	018-0710	LINE ROLLER COLLAR	49	049-0710	DISK B WASHER
19	019-0710	LINE ROLLER	50	050-0710	DISK D WASHER
20	020-0710	ARM LEVER S/C	51	051-0710	DISK C WASHER
21	021-0710	BAIL A'SSY	52	052-0710	DISK A WASHER
22	022-0710	BAIL HOLDER S/C	53	053-0710	COIL SPRING
23	023-0710	RETAINER RING	54	054-0710	PRESSURE WASHER
24	024-0710	BEARING	55	055-0710	PRESSURE
25	025-0710	RATCHET	56	056-0710	DRAG KNOB A'SSY
26	026-0710	PINION	57	057-0710	DRAG KNOB S/C
27	027-0710	RETAINER	58	058-0710	HANDLE A'SSY
28			59		
29	029-3710	BODY A'SSY	60	060-0710	O/S SLIDER
30	030-0710	LEAF SPRING	61	061-0710	COLLAR
31	031-0710	ANTI-R-LEVER			

PARTS LIST FOR 2131 REEL