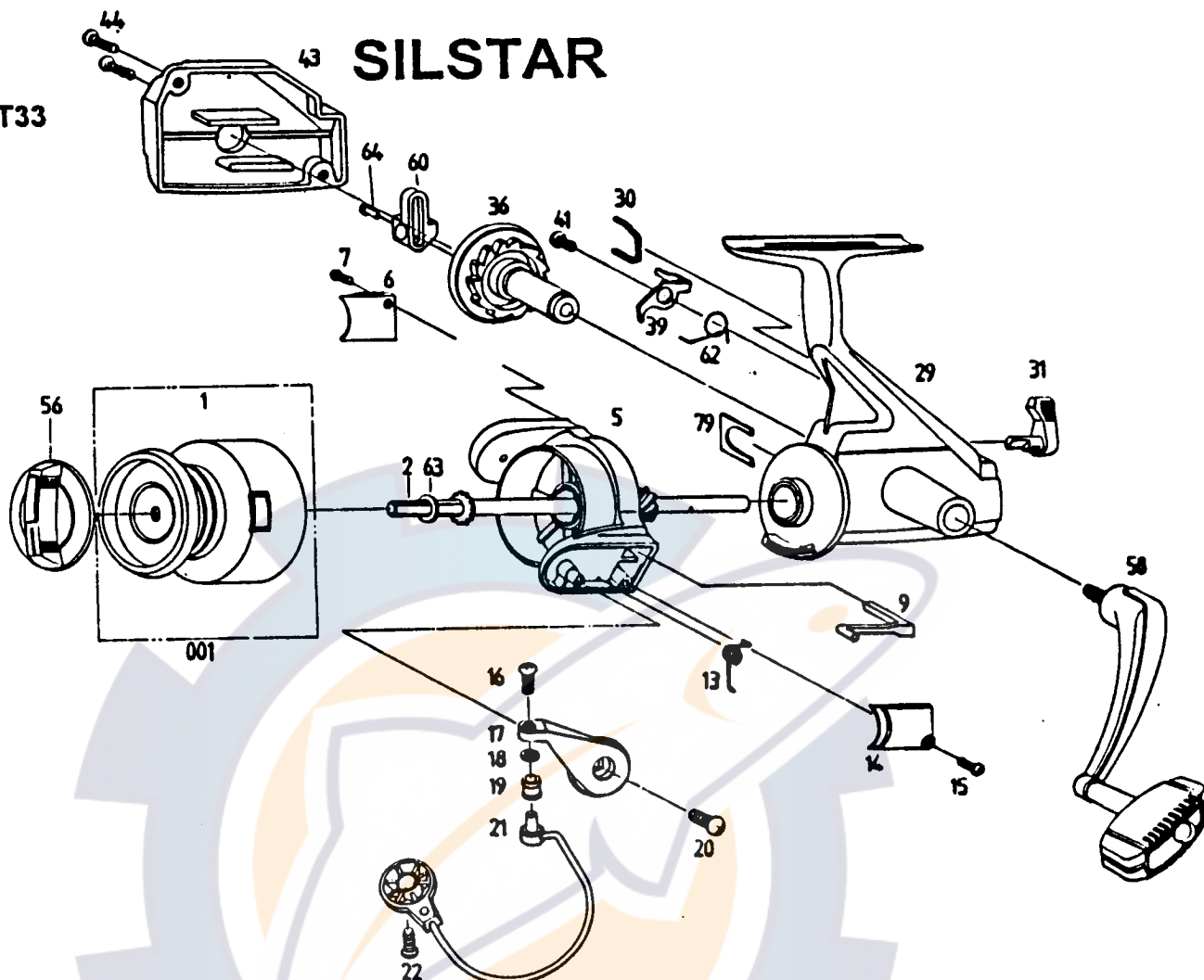


FT33

SILSTAR



REF.NO	PART NO.	DESCRIPTION	PRICE	REF. NO.	PART NO.	DESCRIPTION	PRICE
1	001-5313	SPOOL ASSY	\$1.50	29	029-5152	BODY ASSY	\$3.00
2	002-5152	MAIN SHAFT	\$1.10	30	030-5152	LEAF S/P	\$0.35
5	005-5152	ROTOR/PINION	\$2.90	31	031-5132	A-R-LEVER	\$0.35
6	006-5152	B/H C/O	\$0.35	36	036-5132	DRIVE GEAR	\$1.95
7	007-5152	B/H C/O S/C	\$0.35	37	037-5132	O/S HOLDER	\$0.35
9	009-5152	BAIL KICK LEVER	\$0.35	39	039-5132	A-R-CLAW	\$0.35
13	013-5152	BAIL S/P	\$0.35	41	041-5132	A-R-CLAW S/C	\$0.35
14	014-5152	B/H C/O	\$0.35	43	043-5132	BODY C/O	\$1.45
15	015-5152	B/H C/O S/C	\$0.35	44	044-5132	BODY C/O S/C	\$0.35
16	016-5152	L-SLIDER S/C	\$0.35	56	056-5132	DRAG KNOB ASSY	\$1.10
17	017-5152	ARM LEVER	\$0.35	58	058-5132	HANDLE ASSY	\$1.25
18	018-5152	L-ROLLER COLLAR	\$0.35	60	060-5132	O/S SLIDER	\$0.35
19	019-5152	L-ROLLER	\$0.35	62	062-5132	SPRING	\$0.35
20	020-5152	ARM LEVER S/C	\$0.35	64	064-5132	O/S HOLDER PIN	\$0.35
21	021-5152	BAIL ASSY	\$1.45	79	079-5132	RETAINER	\$0.35
22	022-5152	B/H S/C	\$0.35				

PARTS LIST FOR SILSTAR : FT33

* When ordering parts for your Silstar reel, be sure to include the following:

- 1) Complete Model Number and Letter. Example: BT 80 B
- 2) Specify Color for FX, BT, CX, ER, EC series reels.