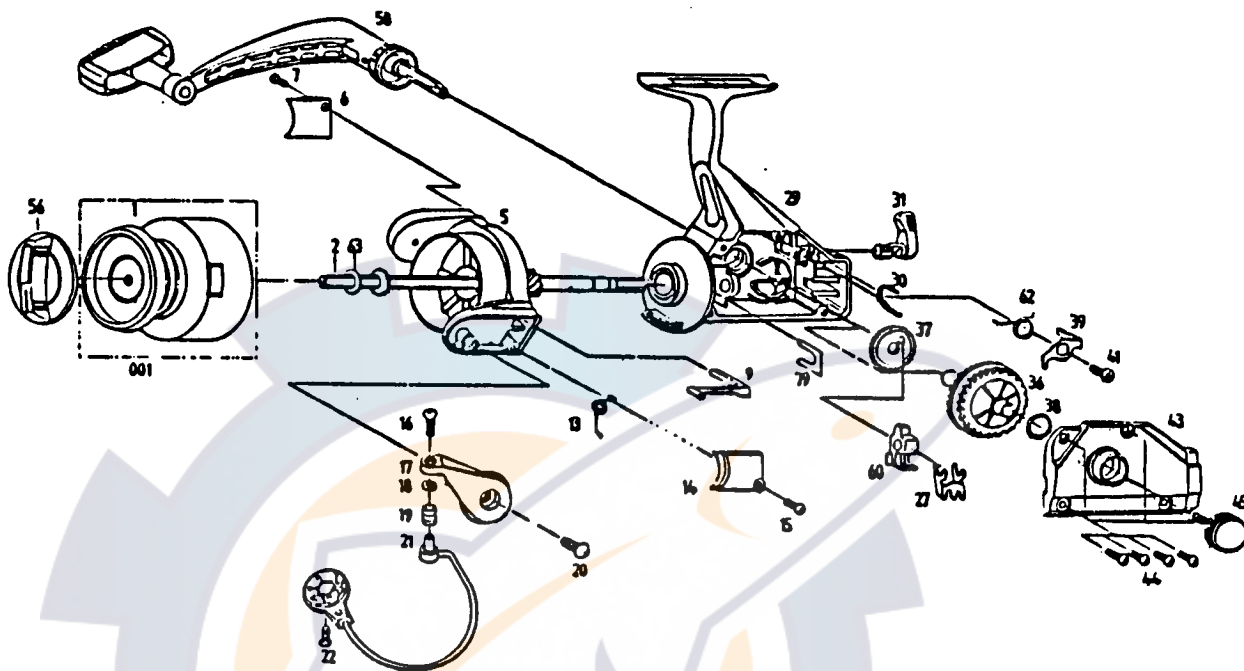


SILSTAR

FT35



| REF.NO | PART NO. | DESCRIPTION | PRICE | REF. NO. | PART NO. | DESCRIPTION | PRICE |
|--------|----------|-----------------|--------|----------|----------|--------------------|----------|
| 1 | 001-5314 | SPOOL ASSY | \$1.50 | 29 | 029-FT35 | BODY ASSY | \$205.00 |
| 2 | 002-FT35 | MAIN SHAFT | \$1.10 | 30 | 030-FT35 | LEAF S/P | \$0.35 |
| 5 | 005-FT35 | ROTOR | \$2.15 | 31 | 031-FT35 | A-R-LEVER | \$0.35 |
| 6 | 006-FT35 | B/H C/O | \$0.35 | 36 | 036-FT35 | DRIVE GEAR | \$1.95 |
| 7 | 007-FT35 | B/H C/O S/C | \$0.35 | 37 | 037-FT35 | O/S GEAR | \$0.60 |
| 9 | 009-FT35 | BAIL K/L | \$0.35 | 38 | 038-FT35 | DRIVE GEAR ADJ W/S | \$0.35 |
| 13 | 013-FT35 | BAIL S/P | \$0.35 | 39 | 039-FT35 | A-R-CLAW | \$0.35 |
| 14 | 014-FT35 | B/H C/O | \$0.35 | 41 | 041-FT35 | A-R-CLAW S/C | \$0.35 |
| 15 | 015-FT35 | B/H C/O S/C | \$0.35 | 43 | 043-FT35 | BODY C/O | \$1.20 |
| 16 | 016-FT35 | L-SLIDER S/C | \$0.35 | 44 | 044-FT35 | BODY S/O S/C | \$0.35 |
| 17 | 017-FT35 | ARM LEVER | \$0.35 | 45 | 045-FT35 | HANDLE S/C CAP | \$0.35 |
| 18 | 018-FT35 | L-ROLLER COLLAR | \$0.35 | 56 | 056-FT35 | DRAG KNOB ASSY | \$0.90 |
| 19 | 019-FT35 | L-ROLLER | \$0.35 | 58 | 058-FT35 | HANDLE ASSY | \$1.25 |
| 20 | 020-FT35 | ARM LEVER S/C | \$0.35 | 60 | 060-FT35 | O/S SLIDER | \$0.35 |
| 21 | 021-FT35 | BAIL ASSY | \$1.45 | 62 | 062-FT35 | SPRING | \$0.35 |
| 22 | 022-FT35 | B/H S/C | \$0.35 | 63 | 063-FT35 | WASHER | \$0.35 |
| 26 | 026-FT35 | PINION | \$1.60 | 79 | 079-FT35 | RETAINER | \$0.35 |
| 27 | 027-FT35 | RETAINER | \$0.35 | | | | |

PARTS LIST FOR SILSTAR : FT35

* When ordering parts for your Silstar reel, be sure to include the following:

- 1) Complete Model Number and Letter. Example: BT 80 B
- 2) Specify Color for FX, BT,CX,ER,EC series reels.