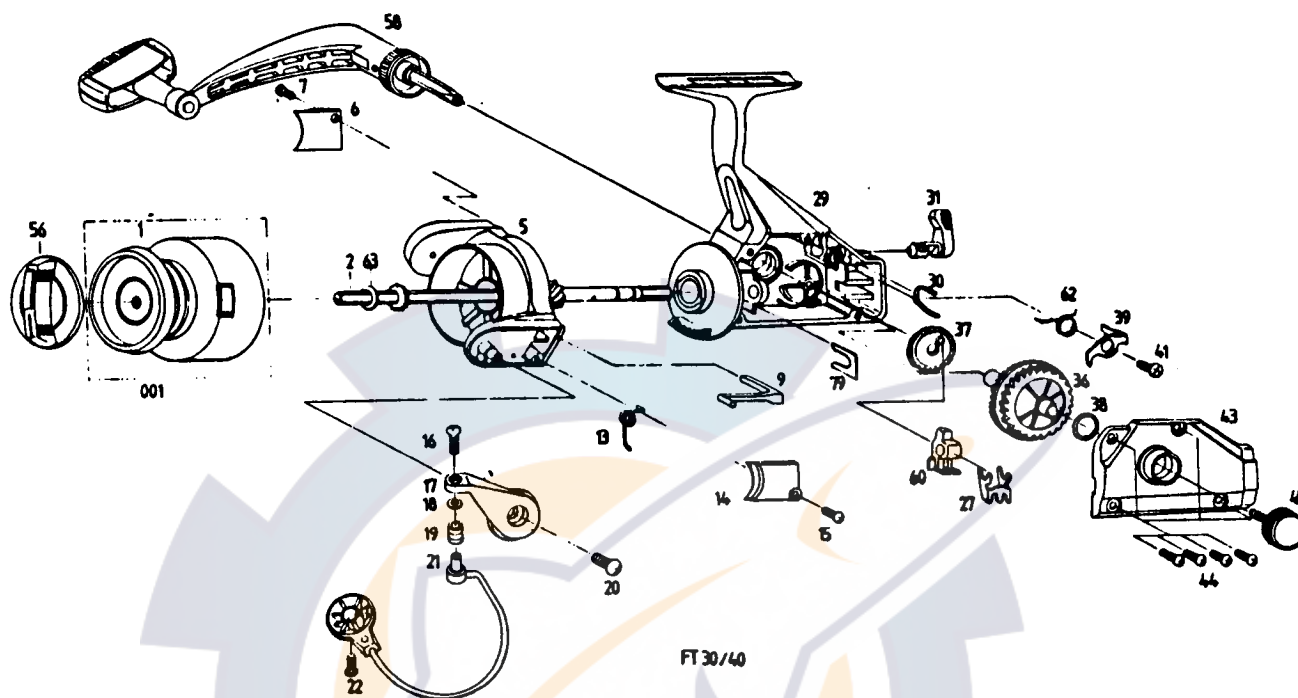


# SILSTAR

FT40B



| REF.NO | PART NO. | DESCRIPTION     | PRICE  | REF. NO. | PART NO. | DESCRIPTION        | PRICE  |
|--------|----------|-----------------|--------|----------|----------|--------------------|--------|
| 1      | 001-5315 | SPOOL ASSY      | \$1.50 | 29       | 029-FT40 | BODY ASSY          | \$2.50 |
| 2      | 002-FT40 | MAIN SHAFT      | \$1.10 | 30       | 030-FT40 | LEAF S/P           | \$0.35 |
| 5      | 005-FT40 | ROTOR/PINION    | \$3.75 | 31       | 031-FT40 | A-R-LEVER          | \$0.35 |
| 6      | 006-FT40 | B/H C/O         | \$0.35 | 36       | 036-FT40 | DRIVE GEAR         | \$1.95 |
| 7      | 007-FT40 | B/H C/O S/C     | \$0.35 | 37       | 037-FT40 | O/S GEAR           | \$0.60 |
| 9      | 009-FT40 | BAIL K/L        | \$0.35 | 38       | 038-FT40 | DRIVE GEAR ADJ W/S | \$0.35 |
| 13     | 013-FT40 | BAIL S/P        | \$0.35 | 39       | 039-FT40 | A-R-CLAW           | \$0.35 |
| 14     | 014-FT40 | B/H C/O         | \$0.35 | 41       | 041-FT40 | A-R-CLAW S/C       | \$0.35 |
| 15     | 015-FT40 | B/H C/O S/C     | \$0.35 | 43       | 043-FT40 | BODY C/O           | \$1.20 |
| 16     | 016-FT40 | L-SLIDER S/C    | \$0.35 | 44       | 044-FT40 | BODY S/O S/C       | \$0.35 |
| 17     | 017-FT40 | ARM LEVER       | \$0.35 | 45       | 045-FT40 | HANDLE S/C CAP     | \$0.35 |
| 18     | 018-FT40 | L-ROLLER COLLAR | \$0.35 | 56       | 056-FT40 | DRAG KNOB ASSY     | \$0.90 |
| 19     | 019-FT40 | L-ROLLER        | \$0.35 | 58       | 058-FT40 | HANDLE ASSY        | \$1.25 |
| 20     | 020-FT40 | ARM LEVER S/C   | \$0.35 | 60       | 060-FT40 | O/S SLIDER         | \$0.35 |
| 21     | 021-FT40 | BAIL ASSY       | \$1.45 | 62       | 062-FT40 | SPRING             | \$0.35 |
| 22     | 022-FT40 | B/H S/C         | \$0.35 | 63       | 063-FT40 | WASHER             | \$0.35 |
| 27     | 027-FT40 | RETAINER        | \$0.35 | 79       | 079-FT40 | RETAINER           | \$0.35 |

**PARTS LIST FOR SILSTAR : FT40B**

\* When ordering parts for your Silstar reel, be sure to include the following:

- 1) Complete Model Number and Letter. Example: BT 80 B
- 2) Specify Color for FX, BT,CX,ER,EC series reels.