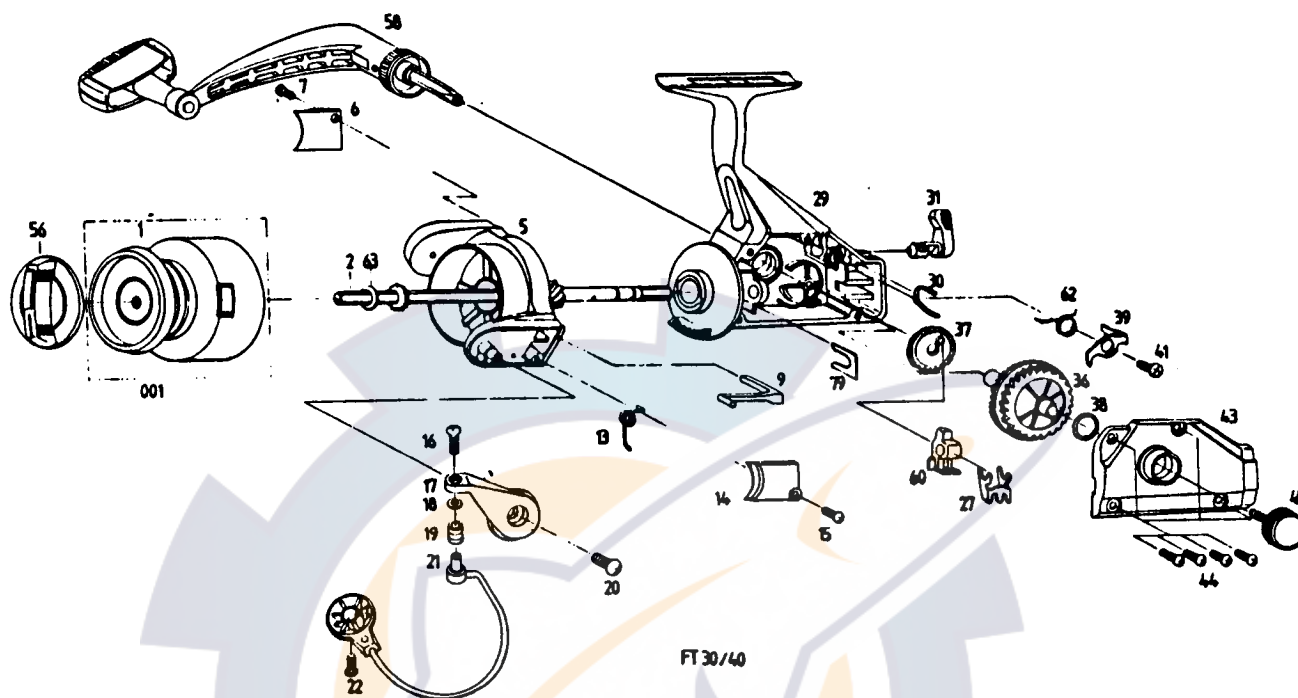


SILSTAR

FT40B



REF.NO	PART NO.	DESCRIPTION	PRICE	REF. NO.	PART NO.	DESCRIPTION	PRICE
1	001-5315	SPOOL ASSY	\$1.50	29	029-FT40	BODY ASSY	\$2.50
2	002-FT40	MAIN SHAFT	\$1.10	30	030-FT40	LEAF S/P	\$0.35
5	005-FT40	ROTOR/PINION	\$3.75	31	031-FT40	A-R-LEVER	\$0.35
6	006-FT40	B/H C/O	\$0.35	36	036-FT40	DRIVE GEAR	\$1.95
7	007-FT40	B/H C/O S/C	\$0.35	37	037-FT40	O/S GEAR	\$0.60
9	009-FT40	BAIL K/L	\$0.35	38	038-FT40	DRIVE GEAR ADJ W/S	\$0.35
13	013-FT40	BAIL S/P	\$0.35	39	039-FT40	A-R-CLAW	\$0.35
14	014-FT40	B/H C/O	\$0.35	41	041-FT40	A-R-CLAW S/C	\$0.35
15	015-FT40	B/H C/O S/C	\$0.35	43	043-FT40	BODY C/O	\$1.20
16	016-FT40	L-SLIDER S/C	\$0.35	44	044-FT40	BODY S/O S/C	\$0.35
17	017-FT40	ARM LEVER	\$0.35	45	045-FT40	HANDLE S/C CAP	\$0.35
18	018-FT40	L-ROLLER COLLAR	\$0.35	56	056-FT40	DRAG KNOB ASSY	\$0.90
19	019-FT40	L-ROLLER	\$0.35	58	058-FT40	HANDLE ASSY	\$1.25
20	020-FT40	ARM LEVER S/C	\$0.35	60	060-FT40	O/S SLIDER	\$0.35
21	021-FT40	BAIL ASSY	\$1.45	62	062-FT40	SPRING	\$0.35
22	022-FT40	B/H S/C	\$0.35	63	063-FT40	WASHER	\$0.35
27	027-FT40	RETAINER	\$0.35	79	079-FT40	RETAINER	\$0.35

PARTS LIST FOR SILSTAR : FT40B

* When ordering parts for your Silstar reel, be sure to include the following:

- 1) Complete Model Number and Letter. Example: BT 80 B
- 2) Specify Color for FX, BT,CX,ER,EC series reels.