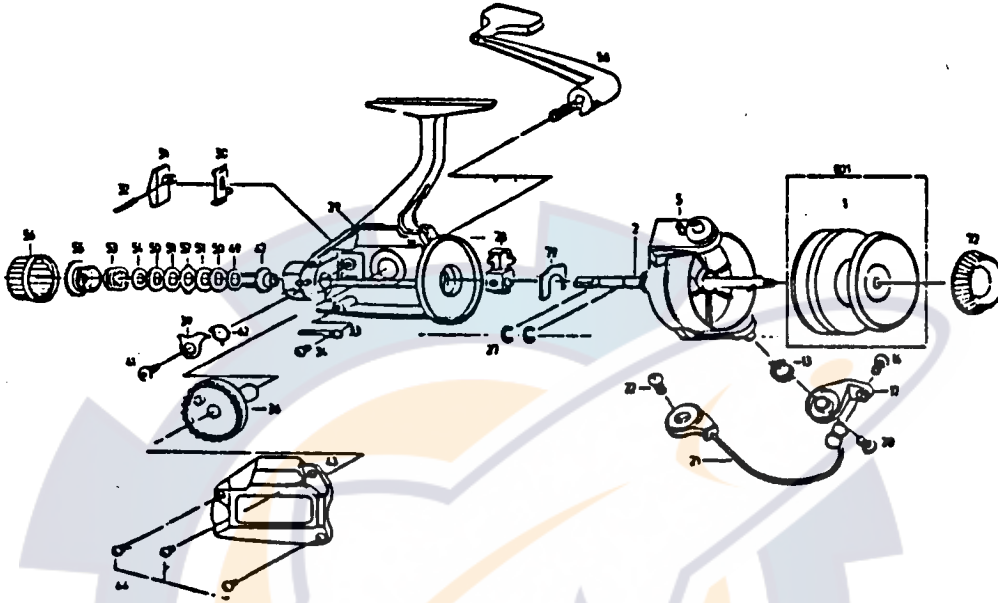


SILSTAR

FX25



REF.NO	PART NO.	DESCRIPTION	PRICE	REF. NO.	PART NO.	DESCRIPTION	PRICE
1	001-5300	SPOOL ASSY	\$1.20	39	039-5180	A-R-CLAW	\$0.35
2	002-5180	MAIN SHAFT ASSY	\$0.35	41	041-5180	A-R-CLAW S/C	\$0.35
5	005-5180	ROTOR/PINION	\$2.55	43	043-5180	BODY C/O ASSY	\$0.35
13	013-5180	BAIL S/P	\$0.35	44	044-5180	BODY C/O S/C	\$0.35
16	016-5180	L-SLIDER S/C	\$0.35	47	047-5180	CLICK METAL	\$0.60
17	017-5180	ARM LEVER	\$0.35	49	049-5180	DISK B W/S	\$0.60
20	020-5180	ARM LEVER S/C	\$0.35	50	050-5180	DISK D W/S	\$0.60
21	021-5180	BAIL ASSY	\$1.10	51	051-5180	DISK C W/S	\$0.60
22	022-5180	B/H S/C	\$0.35	52	052-5180	DISK A W/S	\$0.60
27	027-5180	RETAINER (M/S)	\$0.35	53	053-5180	COIL S/P	\$0.60
28	028-5180	O/S HOLDER	\$0.35	54	054-5180	PRESSURE W/S	\$0.35
29	029-5180	BODY ASSY	\$2.15	55	055-5180	PRESSURE	\$0.35
30	030-5180	LEAF S/P	\$0.35	56	056-5180	DRAG KNOB ASSY	\$0.35
31	031-5180	A-R-LEVER	\$0.35	58	058-5180	HANDLE ASSY	\$1.25
32	032-5180	PIN	\$0.35	62	062-5180	SPRING	\$0.35
33	033-5180	CLICK CLAW	\$0.35	72	072-5180	PUSH BUTTON	\$0.60
34	034-5180	CLICK CLAW S/C	\$0.35	79	079-5180	PINION RETAINER	\$0.35
36	036-5180	DRIVE GEAR	\$0.60				

PARTS LIST FOR SILSTAR : FX25

* When ordering parts for your Silstar reel, be sure to include the following:

- 1) Complete Model Number and Letter. Example: BT 80 B
- 2) Specify Color for FX, BT,CX,ER,EC series reels.