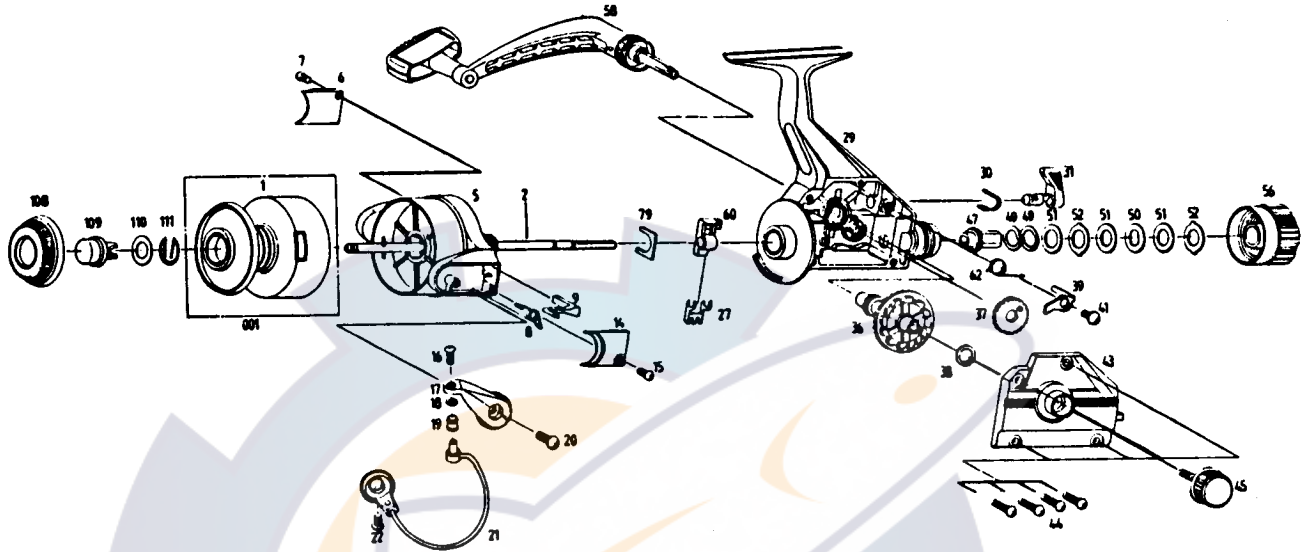


SILSTAR

FX35



REF.NO	PART NO.	DESCRIPTION	PRICE	REF. NO.	PART NO.	DESCRIPTION	PRICE
1	001-5301	SPOOL ASSY	\$2.35	36	036-4224	DRIVE GEAR	\$1.95
2	002-4251	MAIN SHAFT ASSY	\$1.10	37	037-4214	O/S GEAR	\$0.60
5	005-4247	ROTOR/PINION	\$2.75	38	038-4217	DRIVE GEAR ADJ W/S	\$0.35
6	006-4228	B/H C/O	\$0.35	39	039-4226	A-R-CLAW	\$0.35
7	007-4216	B/H C/O S/C	\$0.35	41	041-4221	A-R-CLAW S/C	\$0.35
9	009-4226	BAIL K/L	\$0.35	43	043-4266	BODY C/O ASSY	\$1.20
13	013-4220	BAIL S/P	\$0.35	44	044-4220	BODY C/O S/C	\$0.35
14	014-4218	ARM LEVER C/O	\$0.35	45	045-4219	HANDLE S/C CAP	\$0.35
15	007-4216	ARM LEVER C/O S/C	\$0.35	47	047-4220	CLICK METAL	\$0.35
16	016-2610	L-SLIDER S/C	\$0.35	50	050-4213	DISK D W/S	\$0.35
17	017-4221	ARM LEVER	\$0.35	51	051-4213	DISK C W/S	\$0.35
18	018-4221	L-SLIDER W/S	\$0.35	52	052-4217	DISK A W/S	\$0.35
19	019-4216	L-ROLLER	\$0.35	53	053-4221	KEY W/S	\$0.35
20	020-4216	ARM LEVER S/C	\$0.35	56	056-4234	DRAG KNOB	\$0.90
21	021-4243	BAIL ASSY	\$1.45	58	058-4229	HANDLE ASSY	\$1.50
22	020-4216	B/H S/C	\$0.35	59	059-4216	O/S SLIDER S/C	\$0.35
27	027-4218	RETAINER	\$0.35	60	060-4224	O/S SLIDER	\$0.35
29	029-4266	BODY ASSY	\$2.50	62	062-4212	A-R-CLAW S/P	\$0.35
30	030-4221	LEAF S/P	\$0.35	79	079-4214	RETAINER	\$0.35
31	031-4221	A-R-LEVER	\$0.35				

PARTS LIST FOR SILSTAR : FX35

* When ordering parts for your Silstar reel, be sure to include the following:

- 1) Complete Model Number and Letter. Example: BT 80 B
- 2) Specify Color for FX, BT,CX,ER,EC series reels.