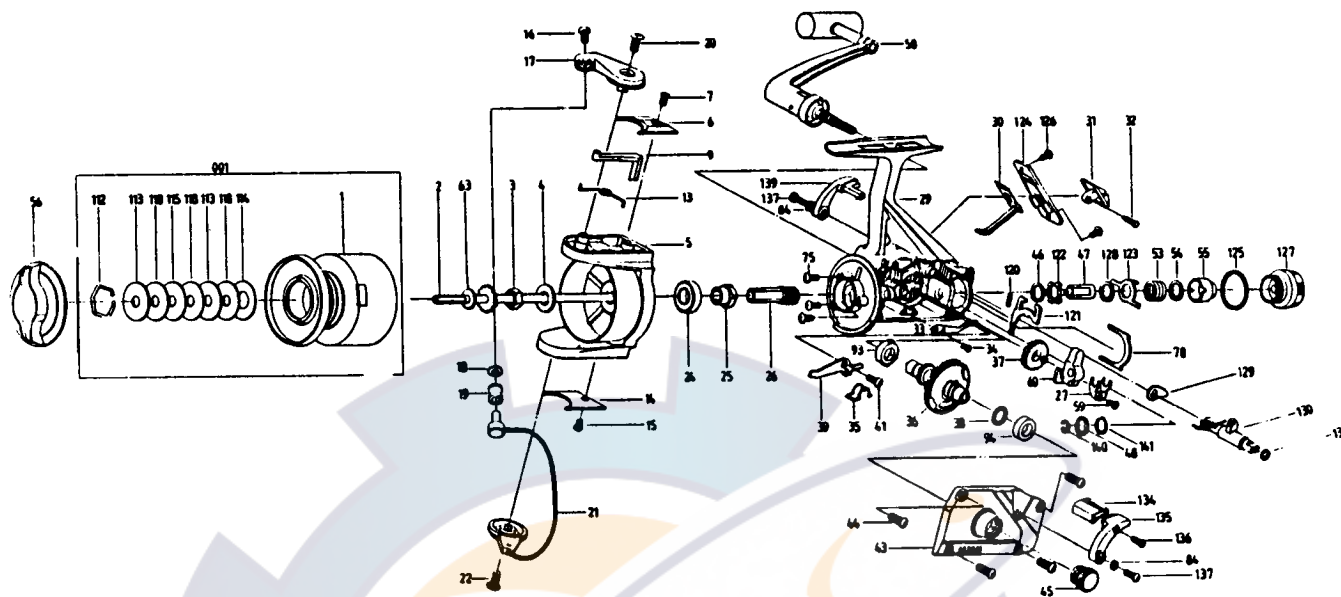


SILSTAR

GXB40M (Manual Trip)



| REF. NO | PART NO. | DESCRIPTION | PRICE | REF. NO. | PART NO. | DESCRIPTION | PRICE |
|---------|----------|--------------------|--------|----------|----------|--------------------|--------|
| 1 | 001-6116 | SPOOL ASSY | \$3.76 | 46 | 046-6111 | W/S | \$0.36 |
| 2 | 002-6111 | MAIN SHAFT ASSY | \$3.90 | 47 | 047-6111 | CLICK METAL | \$0.36 |
| 3 | 003-0210 | ROTOR NUT | \$0.36 | 48 | 048-6111 | CLICK GEAR | \$0.36 |
| 4 | 004-6111 | ROTOR W/S | \$0.35 | 53 | 053-6111 | COIL S/P | \$0.36 |
| 5 | 005-6116 | ROTOR | \$2.65 | 54 | 054-6111 | PRESSURE W/S | \$0.36 |
| 6 | 006-6116 | B/H C/O | \$0.36 | 55 | 055-6111 | PRESSURE | \$1.10 |
| 7 | 007-4211 | B/H C/O S/C | \$0.36 | 56 | 056-6111 | DRAG KNOB ASSY | \$2.00 |
| 9 | 009-4217 | BAIL K/L | \$0.36 | 58 | 058-4227 | HANDLE ASSY | \$3.36 |
| 13 | 013-4216 | BAIL S/P | \$0.36 | 59 | 059-0110 | S/C | \$0.36 |
| 14 | 014-6116 | ARM LEVER C/O | \$0.36 | 60 | 060-6111 | O/S SLIDER | \$0.60 |
| 16 | 007-4211 | ARM LEVER C/O S/C | \$0.36 | 75 | 075-4214 | BEARING PLATE S/C | \$0.36 |
| 18 | 016-0410 | L-SLIDER S/C | \$0.36 | 78 | 078-6111 | RETAINER | \$0.36 |
| 17 | 017-4211 | ARM LEVER | \$0.36 | 84 | 084-6111 | W/S | \$0.36 |
| 18 | 018-4219 | L-ROLLER COLLAR | \$0.36 | 93 | 093-4212 | BEARING | \$0.36 |
| 19 | 019-1810 | L-ROLLER | \$0.75 | 94 | 093-4212 | BEARING | \$0.36 |
| 20 | 057-0710 | ARM LEVER S/C | \$0.36 | 120 | 120-6111 | CLUTCH S/P | \$0.36 |
| 21 | 021-4236 | BAIL ARM | \$1.45 | 121 | 121-6111 | CLUTCH | \$0.36 |
| 22 | 057-0710 | B/H S/C | \$0.36 | 122 | 122-6111 | FE RATCHET | \$0.36 |
| 24 | 024-4214 | BALL BEARING | \$3.10 | 123 | 123-6111 | A W/S | \$0.36 |
| 25 | 025-4214 | RATCHET | \$0.36 | 124 | 124-6111 | A-R-LEVER C/O | \$0.60 |
| 26 | 026-6111 | PINION | \$1.60 | 125 | 125-6111 | DRAG RING | \$0.36 |
| 27 | 027-6111 | RETAINER | \$0.36 | 126 | 126-6111 | S/C | \$0.36 |
| 29 | 029-6116 | BODY ASSY | \$4.90 | 127 | 127-6111 | TENSION DRAG | \$1.10 |
| 30 | 030-6111 | LEAF S/P | \$0.36 | 128 | 128-6111 | W/S | \$0.36 |
| 31 | 031-6111 | A-R-LEVER | \$0.36 | 129 | 129-6111 | CLUTCH CAM | \$0.36 |
| 32 | 032-6111 | PIN | \$0.36 | 130 | 130-6111 | CLUTCH ARM ASSY | \$0.60 |
| 33 | 033-6111 | CLICK CLAW | \$0.36 | 131 | 131-6111 | CLUTCH ARM W/S | \$0.36 |
| 34 | 007-4214 | CLICK CLAW S/C | \$0.36 | 134 | 134-6111 | BAIT FE BRIDGE | \$0.36 |
| 35 | 030-4213 | A-R-CLAW ADJ S/P | \$0.36 | 135 | 135-6111 | BAIT FE LEVER (L) | \$0.36 |
| 36 | 036-6111 | DRIVE GEAR ASSY | \$2.80 | 136 | 136-6111 | BRIDGE S/C | \$0.36 |
| 37 | 037-6111 | O/S GEAR | \$0.36 | 137 | 137-6111 | LEVER S/C | \$0.36 |
| 38 | 038-4211 | DRIVE GEAR ADJ W/S | \$0.36 | 139 | 139-6111 | BAIT FE LEVER (R) | \$0.36 |
| 39 | 039-6111 | A-R-CLAW | \$0.36 | 140 | 140-6111 | RETAINER | \$0.36 |
| 41 | 041-4214 | A-R-CLAW S/C | \$0.36 | 141 | 141-6111 | W/S | \$0.36 |
| 43 | 043-6116 | BODY C/O | \$1.60 | 142 | 142-6111 | CLUTCH ARM S/P | \$0.36 |
| 44 | 044-3010 | BODY C/O S/C | \$0.36 | 143 | 143-6111 | CLUTCH ARM P/L S/P | \$0.36 |
| 45 | 045-0310 | HANDLE S/C CAP | \$0.36 | | | | |

PARTS LIST FOR SILSTAR :

GXB40M

* When ordering parts for your Silstar reel, be sure to include the following:

- 1) Complete Model Number and Letter. Example: BT 80 B
- 2) Specify Color for FX, BT, CX, ER, EC series reels.