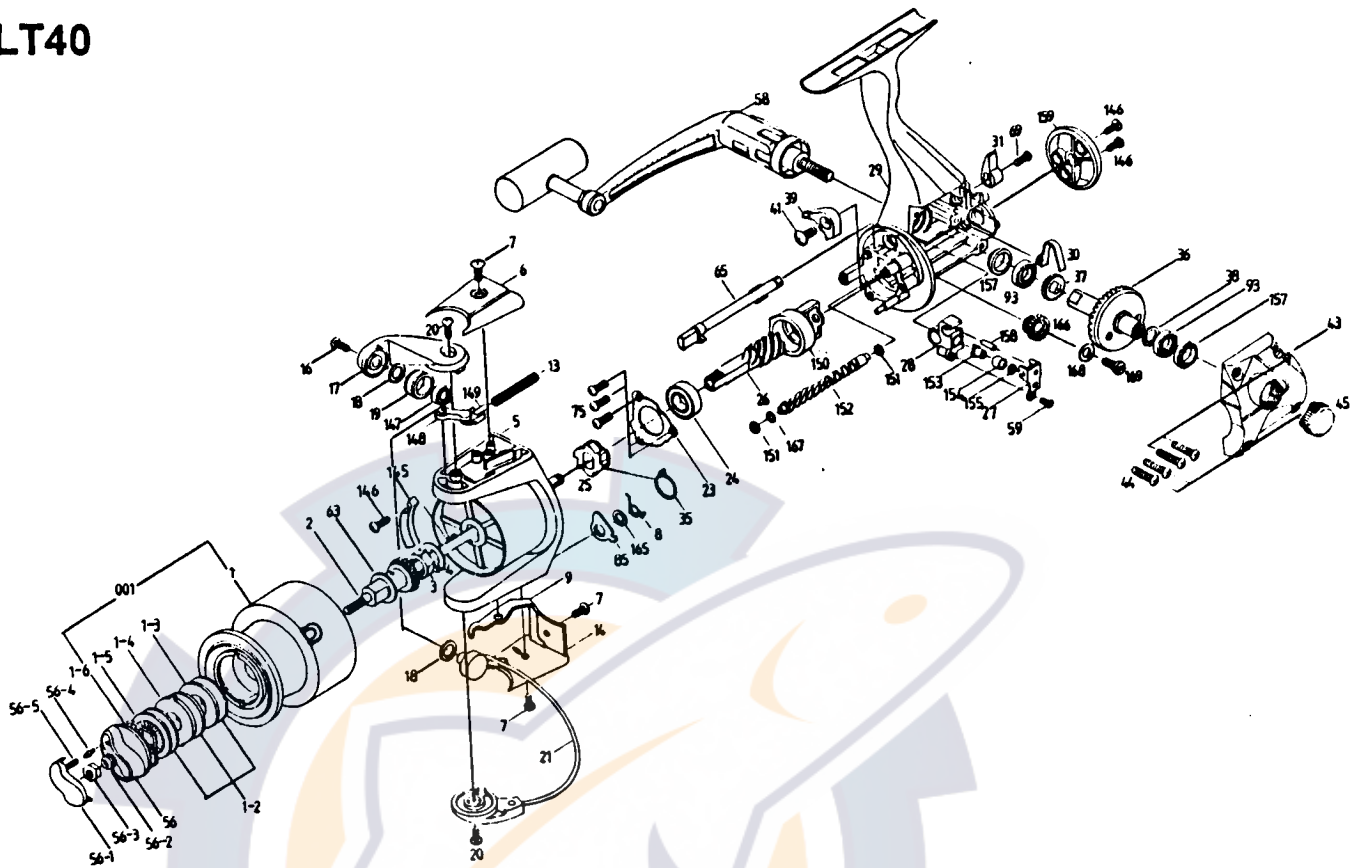


SILSTAR

LT40



REF.NO	PART NO.	DESCRIPTION	PRICE	REF. NO.	PART NO.	DESCRIPTION	PRICE
1	001-5127	SPOOL ASSY ALUM	\$8.00	38	038-4211	DRIVE GEAR ADJ W/S	\$0.35
1	001-5527	SPOOL ASSY GPHT	\$4.76	39	039-5123	A-R-CLAW	\$0.35
2	002-5127	MAIN SHAFT ASSY	\$3.10	41	041-5123	A-R-CLAW S/C	\$0.35
3	003-0210	ROTOR NUT	\$0.35	43	043-5127	BODY C/O ASSY	\$1.75
4	004-2810	S/P WASHER	\$0.35	44	044-3010	BODY C/O S/C	\$0.35
6	006-5123	ROTOR	\$4.20	45	045-0310	HANDLE S/C CAP	\$0.35
6	006-5123	B/H C/O	\$0.35	56	056-5127	DRAG KNOB ASSY	\$1.75
7	007-4211	B/H C/O S/C	\$0.35	58	058-5123	HANDLE ASSY	\$3.75
8	008-5123	BAIL K/L S/P	\$0.35	59	059-0110	SCREW	\$0.35
9	009-5123	BAIL K/L	\$0.35	63	063-5127	SPOOL ADJ WASHER	\$0.35
13	013-5123	BAIL S/P	\$0.35	65	065-5123	A-R-CAM	\$0.60
14	014-5123	ARM LEVER C/O	\$0.35	69	069-5123	A-R-LEVER S/C	\$0.35
16	016-0410	L-SLIDER S/C	\$0.35	75	075-4214	BEARING PLATE S/C	\$0.35
17	017-5123	ARM LEVER	\$0.60	86	086-5123	KICK LINK	\$0.35
18	018-5123	L-ROLLER COLLAR	\$0.35	93	024-5111	BALL BEARING	\$3.10
19	019-5123	L-ROLLER	\$1.80	145	145-5123	BALANCE	\$0.35
20	020-4211	ARM LEVER S/C	\$0.35	146	146-5123	SCREW	\$0.35
21	021-5123	BAIL ASSY	\$3.00	147	147-5123	BALL BEARING	\$3.10
23	023-5123	BEARING PLATE	\$0.35	148	148-5123	BAIL S/P LINK	\$0.35
24	024-4216	BALL BEARING	\$3.10	149	149-5123	BAIL S/P HOLDER	\$0.35
25	025-5123	RATCHET	\$0.35	160	160-5123	BEARING HOLDER	\$0.60
26	026-5123	PINION	\$2.80	161	161-5123	BEARING	\$0.35
27	027-5123	RETAINER	\$0.35	162	162-5123	CARRIAGE S/C	\$3.00
28	028-5123	O/S HOLDER	\$0.35	163	163-5123	PAWL	\$1.10
29	029-5127	BODY ASSY	\$5.75	164	164-5123	PAWL COLLAR	\$0.35
30	030-5123	A-R-CAM S/P	\$0.35	165	165-5123	PAWL WASHER	\$0.35
31	031-5123	A-R-LEVER	\$0.35	166	166-5123	STOP RING	\$0.35
35	035-5123	A-R-CLAW S/P	\$0.35	167	167-5123	SEAL	\$0.35
36	036-5123	DRIVE GEAR	\$1.95	168	168-5127	MAIN SHAFT PIN	\$0.35
37	037-5123	O/S GEAR	\$0.35	169	169-5127	REAR COVER	\$1.00

PARTS LIST FOR SILSTAR : LT40

* When ordering parts for your Silstar reel, be sure to include the following:

- 1) Complete Model Number and Letter. Example: BT 80 B
- 2) Specify Color for FX, BT, CX, ER, EC series reels.