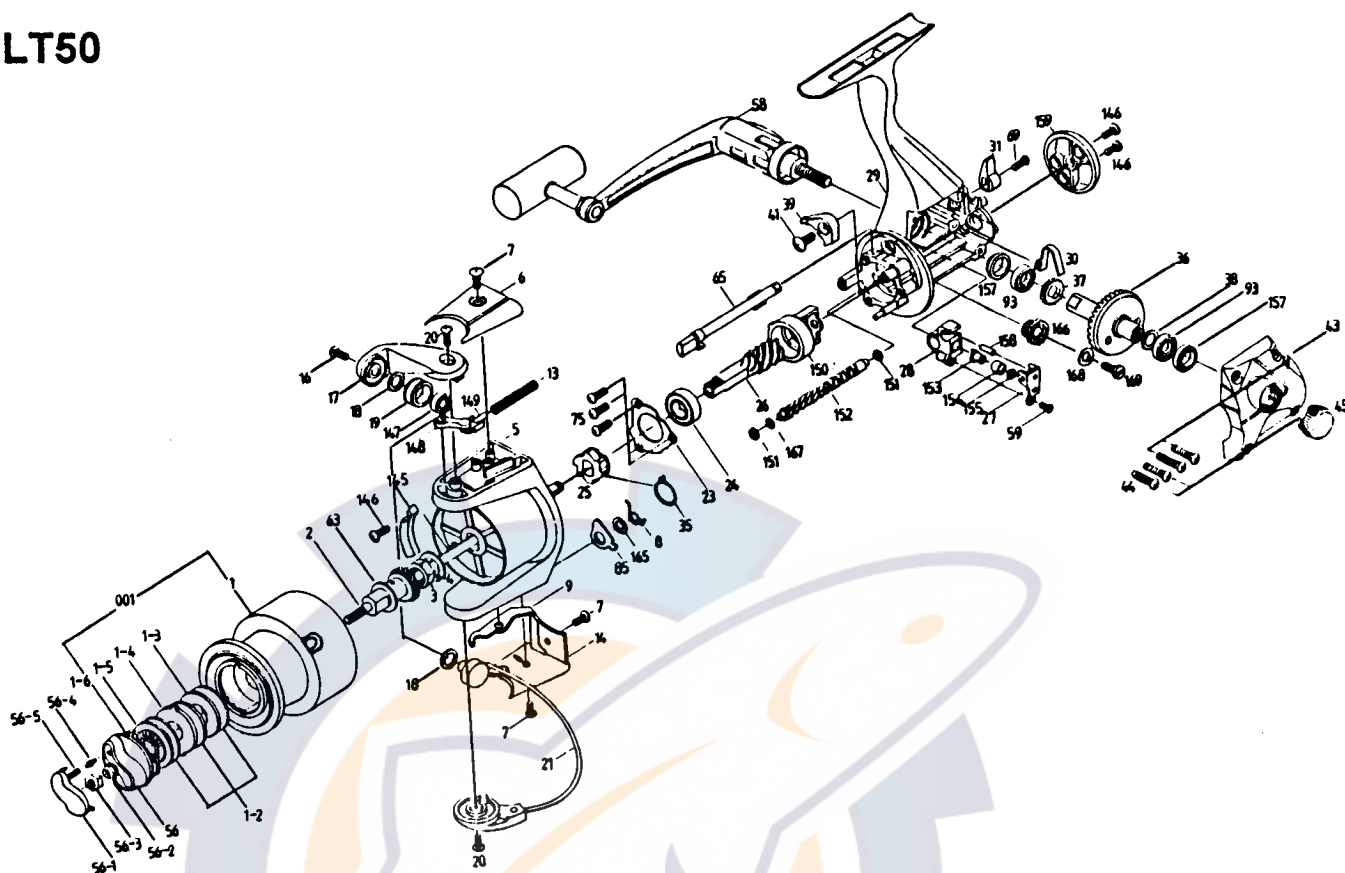


SILSTAR

LT50



REF. NO	PART NO.	DESCRIPTION	PRICE	REF. NO.	PART NO.	DESCRIPTION	PRICE
1	001-5128	SPOOL ASSY ALUM	\$8.00	38	038-4211	DRIVE GEAR ADJ W/S	\$0.35
1	001-5528	SPOOL ASSY GPHT	\$4.75	39	039-5123	A-R-CLAW	\$0.35
2	002-5127	MAIN SHAFT ASSY	\$3.10	41	041-5123	A-R-CLAW S/C	\$0.35
3	003-0210	ROTOR NUT	\$0.35	43	043-5128	BODY C/O ASSY	\$1.75
4	004-2810	S/P WASHER	\$0.35	44	044-3010	BODY C/O S/C	\$0.35
5	005-5123	ROTOR	\$4.20	45	045-0310	HANDLE S/C CAP	\$0.35
6	006-5123	B/H C/O	\$0.35	56	056-5127	DRAG KNOB ASSY	\$1.75
7	007-4211	B/H C/O S/C	\$0.35	58	058-5123	HANDLE ASSY	\$3.75
8	008-5123	BAIL K/L S/P	\$0.35	59	059-0110	SCREW	\$0.35
9	009-5123	BAIL K/L	\$0.35	63	063-5127	SPOOL ADJ WASHER	\$0.35
13	013-5123	BAIL S/P	\$0.35	66	066-5123	A-R-CAM	\$0.60
14	014-5123	ARM LEVER C/O	\$0.35	69	069-5123	A-R-LEVER S/C	\$0.35
16	016-0410	L-SLIDER S/C	\$0.35	75	075-4214	BEARING PLATE S/C	\$0.35
17	017-5123	ARM LEVER	\$0.60	85	085-5123	KICK LINK	\$0.35
18	018-5123	L-ROLLER COLLAR	\$0.35	93	024-5111	BALL BEARING	\$3.10
19	019-5123	L-ROLLER	\$1.80	145	145-5123	BALANCE	\$0.35
20	020-4211	ARM LEVER S/C	\$0.35	146	146-5123	SCREW	\$0.35
21	021-5123	BAIL ASSY	\$3.00	147	147-5123	BALL BEARING	\$3.10
23	023-5123	BEARING PLATE	\$0.35	148	148-5123	BAIL S/P LINK	\$0.35
24	024-4216	BALL BEARING	\$3.10	149	149-5123	BAIL S/P HOLDER	\$0.35
25	025-5123	RATCHET	\$0.35	150	150-5123	BEARING HOLDER	\$0.60
26	026-5123	PINION	\$2.80	151	151-5123	BEARW	\$0.35
27	027-5123	RETAINER	\$0.35	152	152-5123	CARRIAGE S/C	\$3.00
28	028-5123	O/S HOLDER	\$0.35	153	153-5123	PAWL	\$1.10
29	029-5128	BODY ASSY	\$5.75	154	154-5123	PAWL COLLAR	\$0.35
30	030-5123	A-R-CAM S/P	\$0.35	155	155-5123	PAWL WASHER	\$0.35
31	031-5123	A-R-LEVER	\$0.35	156	156-5123	STOP RING	\$0.35
35	035-5123	A-R-CLAW S/P	\$0.35	157	157-5123	SEAL	\$0.35
36	036-5123	DRIVE GEAR	\$1.95	158	158-5127	MAIN SHAFT PIN	\$0.35
37	037-5123	O/S GEAR	\$0.35	159	159-5127	REAR COVER	\$1.00

PARTS LIST FOR SILSTAR : LT50

- * When ordering parts for your Silstar reel, be sure to include the following:
- 1) Complete Model Number and Letter. Example: BT 80 B
- 2) Specify Color for FX, BT,CX,ER,EC series reels.