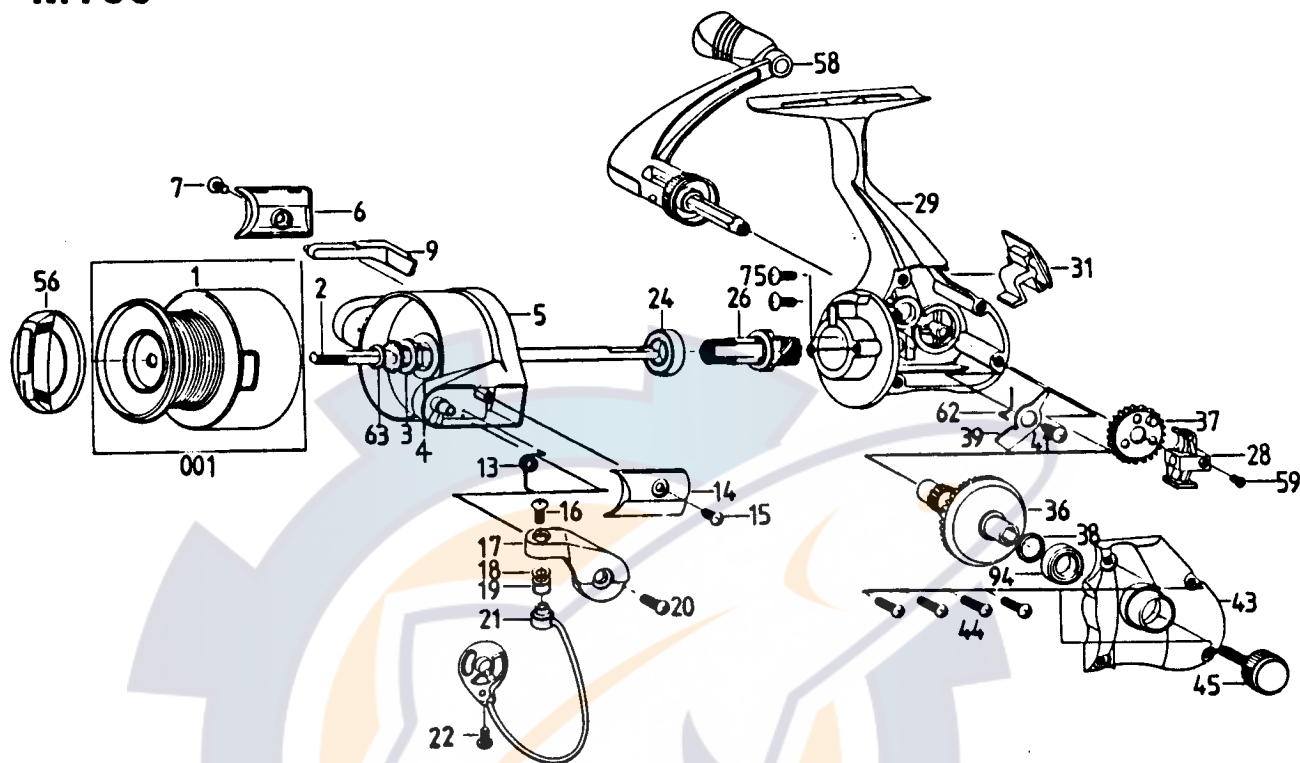


# SILSTAR

MT30



REF.NO	PART NO.	DESCRIPTION	PRICE	REF. NO.	PART NO.	DESCRIPTION	PRICE
1	001-5144	SPOOL ASSY	\$4.00	26	026-5145	PINION	\$1.95
2	002-5145	MAIN SHAFT ASSY	\$1.43	28	028-5145	O/S HOLDER	\$0.60
3	003-5145	ROTOR NUT	\$0.35	29	029-5144	BODY ASSY	\$3.35
5	005-5145	ROTOR	\$2.50	31	031-5145	A-R-LEVER	\$0.35
6	006-5145	B/H C/O	\$0.35	36	036-5145	DRIVE GEAR	\$1.80
7	007-5145	B/H C/O S/C	\$0.35	37	037-5145	O/S GEAR	\$0.60
9	009-5145	BAIL K/L	\$0.35	38	038-5145	DRIVE GEAR ADJ W/S	\$0.35
13	013-5145	BAIL S/P	\$0.35	39	039-5145	A-R-CLAW	\$0.35
14	014-5145	ARM LEVER C/O	\$0.35	41	041-5145	A-R-CLAW S/C	\$0.35
15	015-5145	ARM LEVER C/O S/C	\$0.35	43	043-5144	BODY C/O ASSY	\$1.60
16	016-5145	L-SLIDER S/C	\$0.35	44	044-5145	BODY C/O S/C	\$0.35
17	017-5145	ARM LEVER	\$0.35	45	045-5145	HANDLE S/C CAP	\$0.35
18	018-5145	L-ROLLER COLLAR	\$0.35	56	056-5145	DRAG KNOB ASSY	\$1.25
19	019-5145	L-ROLLER	\$0.35	58	058-5145	HANDLE ASSY	\$2.65
20	020-5145	ARM LEVER S/C	\$0.35	59	059-5145	O/S HOLDER S/C	\$0.35
21	021-5145	BAIL ASSY	\$2.15	62	062-5145	A-R-CLAW S/P	\$0.35
22	022-5145	B/H S/C	\$0.35	63	063-5145	SPOOL ADJ W/S	\$0.35
24	024-5145	BALL BEARING	\$2.30	75	075-5145	BALL BEARING S/C	\$0.35

## PARTS LIST FOR SILSTAR MT30

\* When ordering parts for your Silstar reel, be sure to include the following:

- 1) Complete Model Number and Letter. Example: BT 80 B
- 2) Specify Color for FX, BT,CX,ER,EC series reels.