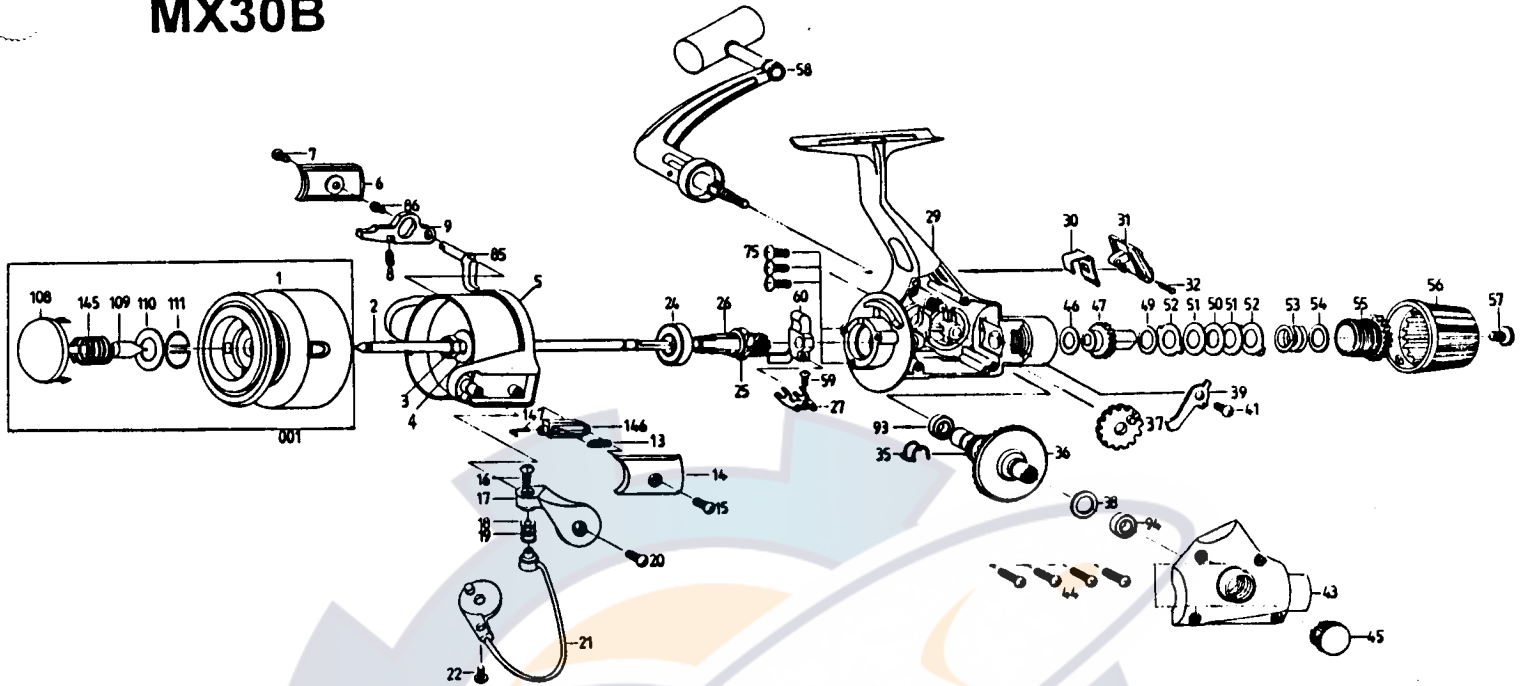


SILSTAR

MX30B



REF.NO	PART NO.	DESCRIPTION	PRICE	REF. NO.	PART NO.	DESCRIPTION	PRICE
1	001-5140	SPOOL ASSY	\$4.00	37	037-5140	O/S GEAR	\$0.35
2	002-5140	MAIN SHAFT ASSY	\$1.10	38	038-0710	DRIVE GEAR ADJ W/S	\$0.35
3	003-0710	ROTOR NUT	\$0.35	39	039-5140	A-R-CLAW	\$0.35
4	004-0710	ROTOR W/S	\$0.35	41	041-4214	A-R-CLAW S/C	\$0.35
5	005-5140	ROTOR	\$3.35	43	043-5140	BODY C/O ASSY	\$1.75
6	006-5140	B/H C/O	\$0.35	44	044-4217	BODY C/O S/C	\$0.35
7	007-4211	B/H C/O S/C	\$0.35	45	045-0710	HANDLE S/C CAP	\$0.35
8	008-5140	BAIL K/L S/P	\$0.35	46	046-1810	CLICK METAL W/S	\$0.35
9	009-5140	BAIL K/L	\$0.60	47	047-4211	CLICK METAL	\$0.35
13	013-5140	BAIL S/P	\$0.35	49	049-1810	B W/S	\$0.35
14	014-5140	ARM LEVER C/O	\$0.35	50	050-1810	P W/S	\$0.35
15	007-4211	ARM LEVER C/O S/C	\$0.35	51	051-1810	C W/S	\$0.35
16	016-2610	L-SLIDER S/C	\$0.35	52	052-1810	A W/S	\$0.35
17	017-5140	ARM LEVER	\$0.35	53	053-4212	COIL S/P	\$0.35
18	018-5140	L-ROLLER COLLAR	\$0.35	54	054-1810	PRESSURE W/S	\$0.35
19	019-0710	L-ROLLER	\$0.75	55	055-5140	PRESSURE	\$0.35
20	020-4211	ARM LEVER S/C	\$0.35	56	056-5140	DRAG KNOB	\$0.90
21	021-5140	BAIL ASSY	\$2.15	57	057-5140	DRAG KNOB S/C	\$0.35
22	020-4211	B/H S/C	\$0.35	58	058-5140	HANDLE ARM ASSY	\$3.50
24	024-5140	BALL BEARING	\$3.10	59	007-4212	RETAINER S/C	\$0.35
25	025-5140	RATCHET	\$0.35	60	060-5140	O/S SLIDER	\$0.35
26	026-5140	PINION	\$1.95	75	075-5140	BEARING S/C	\$0.35
27	027-5140	RETAINER	\$0.35	85	085-5140	KICK LEVER	\$0.75
29	029-5140	BODY ASSY	\$3.50	86	086-5140	K/L S/C	\$0.35
30	030-5140	LEAF S/P	\$0.35	93	024-5140	BALL BEARING	\$2.65
31	031-5140	A-R-LEVER	\$0.35	94	024-5140	BALL BEARING	\$2.65
32	032-0110	LEVER PIN	\$0.35	146	146-5140	SPRING HOLDER	\$0.35
35	035-5140	A-R-CLAW ADJ S/P	0.35	147	147-5140	BAIL S/P LINK	\$0.35
36	036-5140	DRIVE GEAR	2.15				

PARTS LIST FOR SILSTA MX30B

* When ordering parts for your Silstar reel, be sure to include the following:

- 1) Complete Model Number and Letter. Example: BT 80 B
- 2) Specify Color for FX, BT,CX,ER,EC series reels.