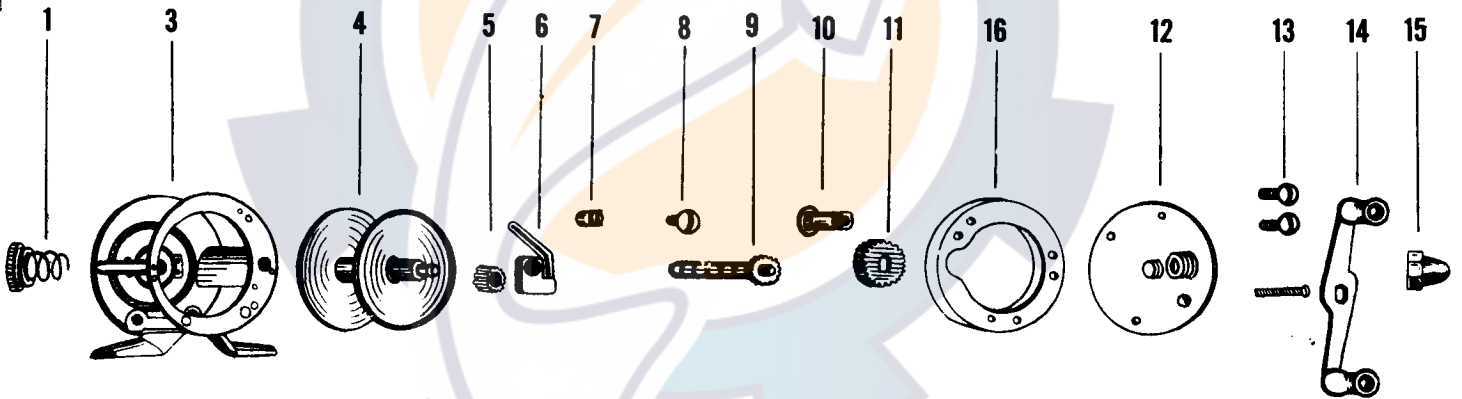
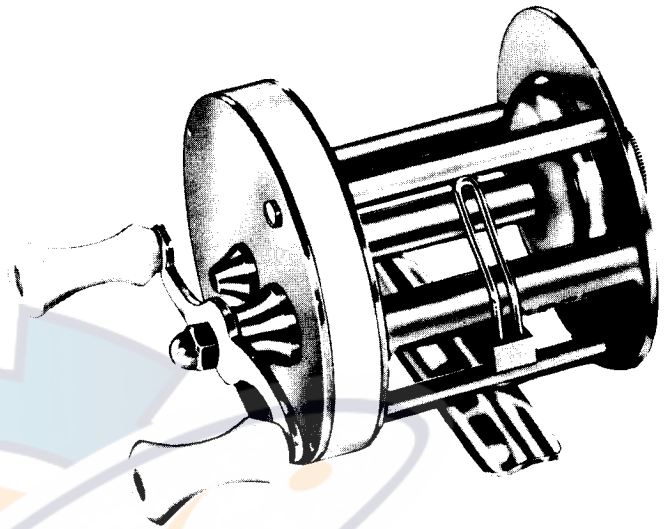




**GLADDING**  
**South Bend Tackle Co., Inc.**  
 Division of **GLADDING** Corporation

**5**  
 3-000-005  
**CASTING REEL**



Detail No.	Part Name	Part No.	Price
1	Drag screw	5/1	.40
3	Main housing	5/3	3.70
4	Spool complete	5/4	1.10
5	Pinion gear	5/5	.20
6	Line guard	5/6	.45
7	Level wind pawl	5/7	.15
8	Level wind screw	5/8	.05
9	Level wind shaft	5/9	.60
10	Main gear shaft	5/10	.25
11	Main gear	5/11	.30
12	Gear plate	5/12	1.35
13	Gear plate screw	5/13	.05
14	Handle complete	5/14	.90
15	Handle nut	5/15	.15
16	Spacer Plate	5/16	.65