

### Direct Drive Free Spooling 775-C and 775-D

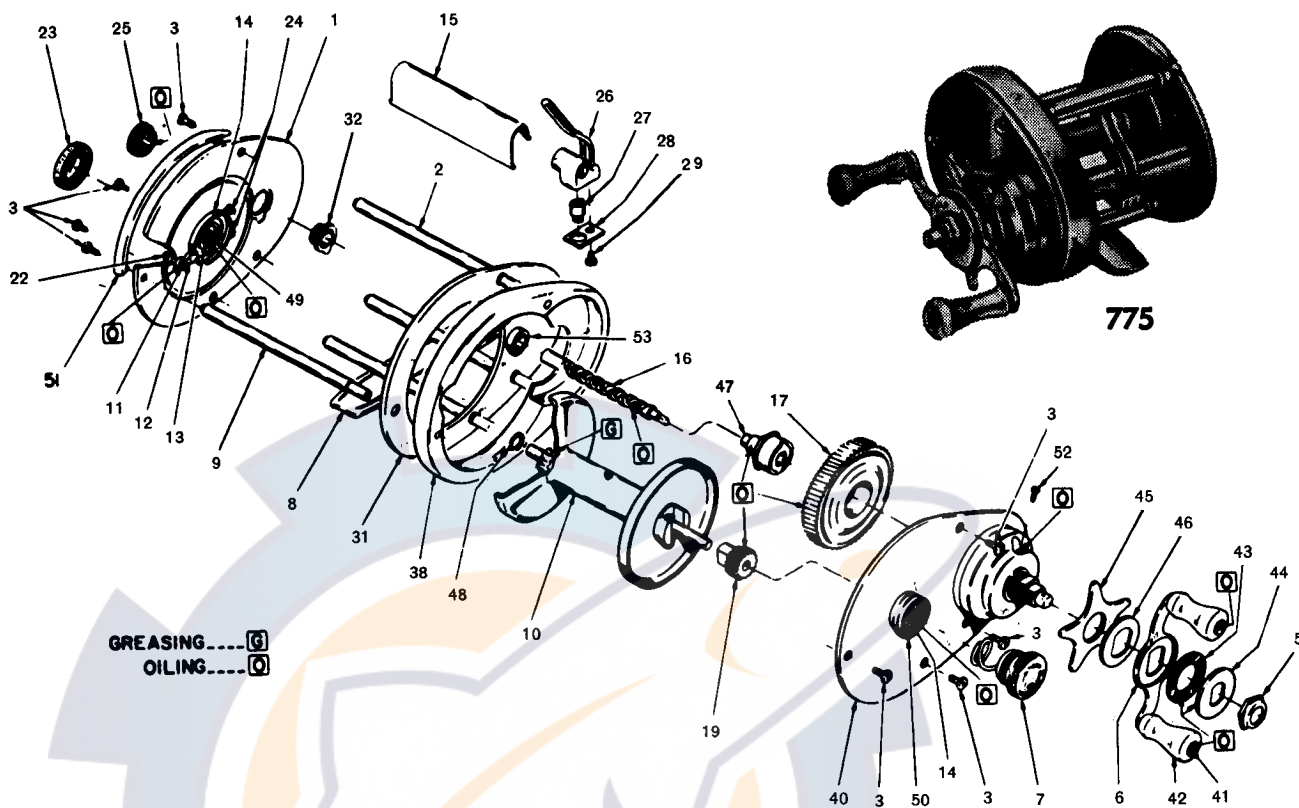


Diagram No.	Part Name	Reel 775-C		Reel 775-D	
		Part No.	Price	Part No.	Price
1	Tail Plate Assembly	RF-36	\$1.75	RF-36	\$1.75
2	Top Pillar	RB-33	.30	RB-33	.30
3	Pillar Screw	R-18	.03	R-18	.03
5	Crank Nut	RJ-11	.25	RJ-11	.25
6	Crank Drag Assembly	RK-12	1.35	RK-12	1.35
7	Head Spool Cap Assembly	RH-20	.45	RH-20	.45
8	Rod Clip	RD-31	.85	RD-31	.85
9	Side Pillar	RB-32	.25	RB-32	.25
10	Spool Assembly	RV-19	4.00	RV-19	4.00
11	Click Button Stem	RA-26	.02	RA-26	.02
12	Click Pawl	R-9	.05	R-9	.05
13	Click Spring	RB-10	.10	RB-10	.10
14	Spool Bushing	R-45	.15	R-45	.15
15	Line Protector	R-21	.20	R-21	.20
16	Line Carriage Screw	RJ-7	.55	RJ-7	.55
17	Drive Gear	RS-15	.75	RS-15	.75
19	Spool Pinion	RL-17	.35	RM-17	.35
22	Click Button	R-37	.10	R-37	.10
23	Tail Spool Cap Assembly	RH-20T	.65	RH-20T	.65
24	Click Spring Rivet	C-43	.03	C-43	.03
25	Carriage Screw Bushing Cap	RA-25	.45	RA-25	.45
26	Line Carriage	RA-3	.55	RA-3	.55
27	Carriage Pawl	R-4	.15	R-4	.15
28	Carriage Pawl Retainer	R-5	.05	R-5	.05
29	Carriage Pawl Retainer Screw	R-6	.03	R-6	.03
31	Head Ring Assembly	RG-29	2.30	RG-29	2.30
32	Carriage Screw Tail Bushing	R-24	.20	R-24	.20
38	Plastic Head Ring	RB-30	1.95	RB-30	1.95
39	Head Plate Assembly	RG-28P	3.70	RG-28P	3.70
40	Head Plate Sub Assembly	RG28PC	7.60	RG-28PC	7.60
41	Crank Stud	R40	.10	R-40	.10
42	Crank Handle	R39	.30	R-39	.30
43	Crank Drag Washer	R-41	.15	R-41	.15
44	Drag Plate	FR5336	.20	R-42	.20
45	Crank Drag Star	B5417K	.65	R-43	.65
46	Crank Drag Spring Washer	B5321K	.15	CB-54	.15
47	Gear Driver Assembly	R-44	.70	R-44	.70
48	Ratchet Retaining Ring	R-51	.02		
49	Spool Bushing Holder Tail	RB-35T	.40	RB-35T	.40
50	Spool Bushing Holder Head	RA-35H	.15	RA-35H	.15
51	Palm Rest	R-46	.40	R-46	.40
52	Oiler Screw	R-2	.03	R-2	.03
53	Carriage Screw Bushing Head	B-555K	.25	RA-47	.25
		NE5455		NE5455	

### DISASSEMBLY and ASSEMBLY INSTRUCTIONS

1. To disassemble reel, remove head pillar screws and head plate (cap) assembly. Remove spool assembly and drive gear. 2. To take apart the level wind mechanism, remove carriage screw bushing cap assembly which will allow

disassembly of carriage screw and carriage assembly. 3. Wash all parts carefully, using gasoline, or other grease solvents. Replace worn parts. For greasing and oiling see diagrams and instructions.

Numbers shown in red common to both South Bend and Shakespeare.

**NOTE: When ordering parts, give reel part name, reel number and model.**