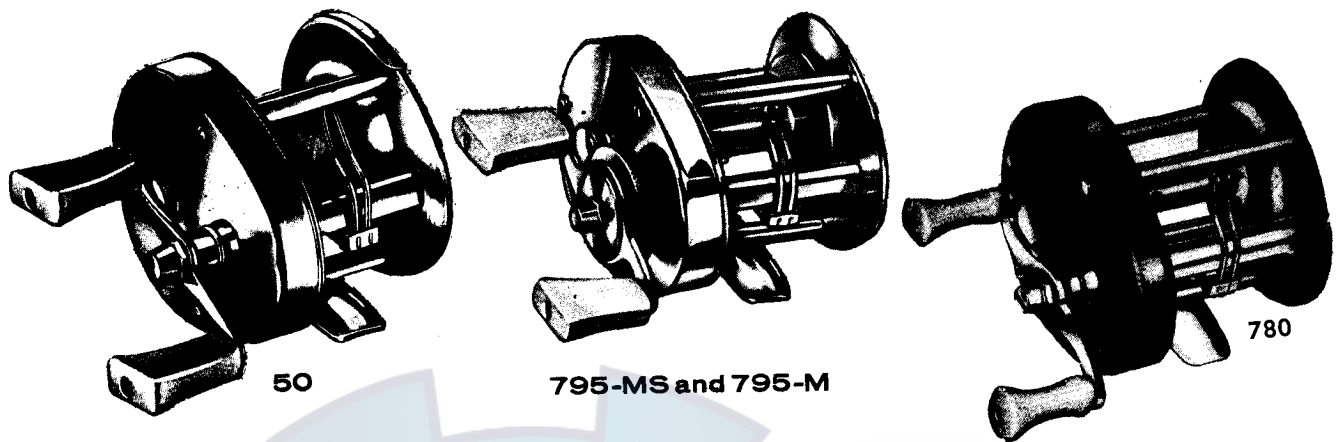
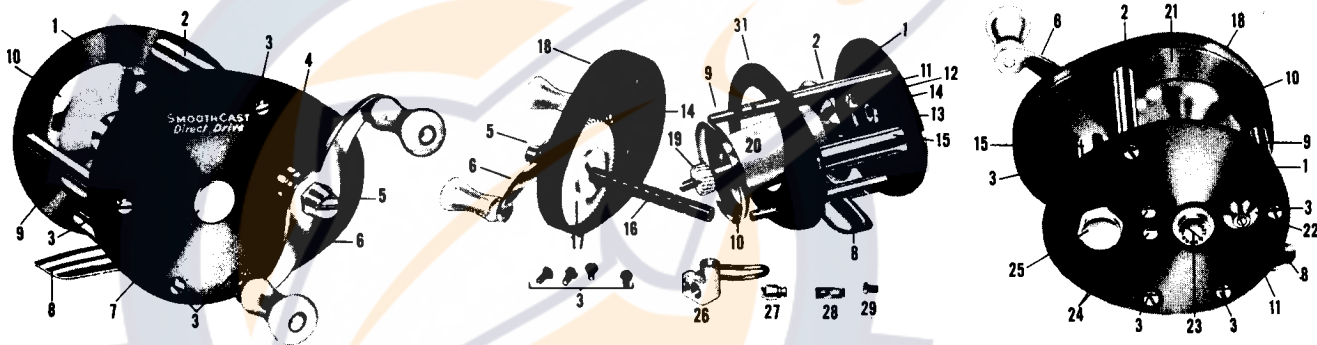


### SMOOTHCAST AND LEVEL WIND REELS



### SMOOTHCAST REEL PARTS IDENTIFICATION CHART



| Diagram No. | Part Name                    | Reel 50  |         | Reel 780 |        | Reel 795M-A |         | Reel 795M-S A |        |
|-------------|------------------------------|----------|---------|----------|--------|-------------|---------|---------------|--------|
|             |                              | Part No. | Price   | Part No. | Price  | Part No.    | Price   | Part No.      | Price  |
| 1           | Tail Plate Assembly          | RE-36    | \$1.50  | RC-36    | \$1.50 | RG-36       | \$2.00  | RG-36         | \$2.00 |
| 2           | Top Pillar                   | RC-33    | .30     | RA-33    | .35    | RA-33       | .35     | RA-33         | .35    |
| 3           | Pillar Screw                 | R-18     | .03     | R-18     | .03    | R-18        | .03     | R-18          | .03    |
| 4           | Gear Stem Bearing            | RB-27    | .25     | RB-27    | .25    | RB-27       | .25     | RB-27         | .25    |
| 5           | Crank Nut                    | RG-11    | .25     | RG-11    | .25    | RG-11       | .25     | RG-11         | .25    |
| 6           | Crank Assembly               | RC-12A   | 1.05    | RV-12    | 1.35   | RO-12       | 1.05    | RG-11         | .25    |
| 6           | Crank Drag—Sub Assembly      |          |         |          |        |             |         | RP-12A        | 2.00   |
| 7           | Head Spool Cap Assembly      | RE-20    | .30     | RE-20    | .30    | RH-20       | .45     | RH-20         | .45    |
| 8           | Rod Clip                     | RF-31    | .85     | RC-31    | .85    | RC-31       | .85     | RC-31         | .85    |
| 9           | Side Pillar                  | RC-32    | .30     | RA-32    | .30    | RA-32       | .30     | RA-32         | .30    |
| 10          | Spool Assembly               | R-19D    | 2.05    | RA-19L   | 1.70   | RA-19       | 4.00    | RA-19         | 4.00   |
| 11          | Click Button Stem            | RA-26    | E698    | RA-26    | 1.02   | RA-26       | E698    | RA-26         | .02    |
| 12          | Click Pawl                   | R-9      | .02     | R-9      | .05    | R-9         | .05     | R-9           | .05    |
| 13          | Click Spring                 | RB-10    | E340    | RB-10    | .10    | RB-10       | E340    | RB-10         | .10    |
| 14          | Spool Bushing                | RA-45    | PB620   | RA-45    | .15    | R-45        | PB620   | RA-45         | .15    |
| 15          | Line Protector               | RB-21    | B920K   | R-21     | .20    | R-21        | PB5286  | R-21          | .20    |
| 16          | Line Carriage Screw          | RR-7     |         | RM-7     | .65    | RM-7        | B920K   | RM-7          | .65    |
| 17          | Drive Gear                   | RP-15    | N3609   | RP-15    | .75    | RP-15       | B3298K  | RP-15         | .75    |
| 18          | Head Cap Assembly            | RJ-28    | 1.75    | RD-28    | 1.75   | RG-28       | N3609   | RG-28         | 2.00   |
| 19          | Spool Pinion                 | RG-17    | N3610   | RG-17    | .35    | RM-17       |         | RM-17         | .35    |
| 20          | Spool Arbor Plastic          | RC-34    | QQ3557  | R-34     | .40    |             |         |               |        |
| 22          | Click Button                 | R-37     | B708K   | R-37     | .10    | R-37        | B708K   | R-37          | .10    |
| 23          | Tail Spool Cap Assembly      | R-20     | .45     | R-20     | .45    | RH20T       | .65     | RHT-20T       | .60    |
| 24          | Click Spring Rivet           | C-43     | .45     | C-43     | .03    | C-43        | B5298KQ | C-43          | .03    |
| 25          | Carriage Screw Bushing Cap   | R-25     | B3761K  | RA-25    | .45    | R-25        | B3761K  | R-25          | .45    |
| 26          | Line Carriage                | RA-3     | MB954K  | RA-3     | .55    | RA-3        | MB954K  | RA-3          | .55    |
| 27          | Carriage Pawl                | R-4      | E2551CA | R-4      | .15    | R-4         | E2551CA | R-4           | .15    |
| 28          | Carriage Pawl Retainer       | R-5      | B1022K  | R-5      | .05    | R-5         | B1022K  | R-5           | .05    |
| 29          | Carriage Pawl Retainer Screw | R-6      | B1012K  | R-6      | .03    | R-6         | B1012K  | R-6           | .03    |
| 31          | Head Ring Assembly           | RK-29    | 2.00    | RD-29    | 1.95   | RH-29       | B1012K  | RH-29         | 2.25   |
| 32          | Carriage Screw Tail Bushing  | R-24     | B958N   | R-24     | .20    | R-24        | B958N   | R-24          | .20    |
| 68          | Crank Drag Hub               |          |         |          |        |             |         | R-48          | .65    |
| 69          | Crank Drag Adjusting Nut     |          |         |          |        |             |         | R-49          | .45    |
| 70          | Crank Drag Spring Washer     |          |         |          |        |             |         | CB-54         | .15    |
| 71          | Crank Drag Washer            |          |         |          |        |             |         | R-41          | .15    |
| 72          | Spool Bushing Holder Head    | R35      | B691    | R-35     | .10    | RA35H       | B5287   | RA35H         | .15    |

**IMPORTANT:** There are many models of South Bend bait casting reels now in use, e.g. 1000 A, 1000 B, 15 A, B and C, etc. As many of the parts are not interchangeable, it is of the utmost importance that the REEL MODEL NUMBER be included when ordering parts.

**DISASSEMBLY:** Three-piece take-down construction makes disassembly and reassembly simple. Removal of the four Pillar Screws (3) located around the outer edge of the Head Cap (crank side of reel) makes all assemblies accessible.

The Pawl (27) can be withdrawn from the Line Carriage (26) by removing the Screw (29) and Retainer (28) on the bottom of the Line Carriage.

Numbers shown in red common to both South Bend and Shakespeare.

**NOTE: When ordering parts, give reel part name, reel number and model.**