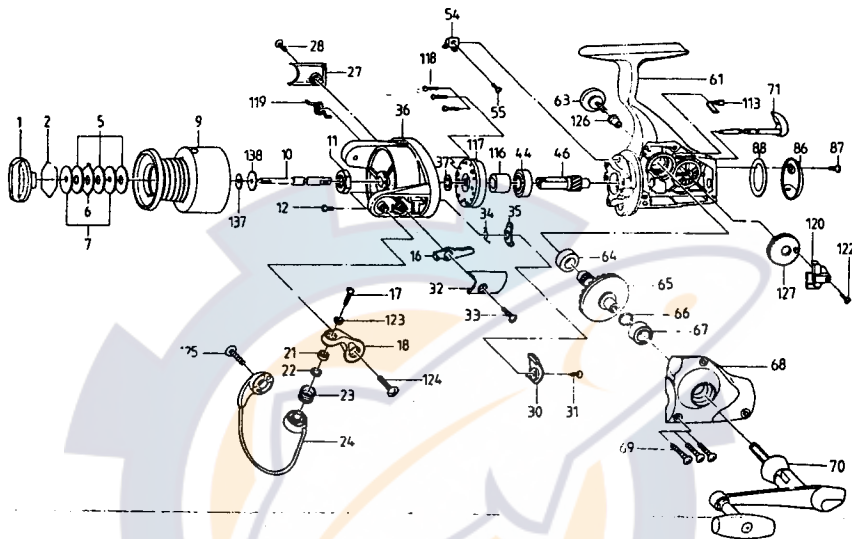




"An American Family Tradition"

SPINNING REEL

CORONA C410A



Key No.	Parts No.	Parts Name.	Key No.	Parts No.	Parts Name.
1	6K385827	Drag knob assembly	46	6K370601	Pinion
2	61717701	Drag washer retainer	54	6K337901	Anti-reverse cam
5	6K503104	Drag washer	55	6AK21803	Anti-reverse cam screw
6	63733603	Key washer	61	6K3701K4	Body
7	6K141502	Eared washer	63	6K322903	Handle lock screw
9	6K385621	Spool assembly	64	6K373101	Bearing
10	6K385501	Main shaft	65	6K596308	Drive gear
11	63424001	Rotor nut	66	63758501	Drive gear washer
12	6K532501	Rotor nut holding screw	67	66375702	Ball bearing
16	6K370901	Bail trip lever A	68	6K371916	Side cover
17	6B679302	Bail screw	69	6K062701	Side cover screw
18	6K370803	Bail arm	70	6K375701	Handle assembly
21	6K626402	Ball bearing	71	6K370304	Anti-reverse lever
22	6K161801	Line roller washer	86	6K410601	Rear cover
23	6K377403	Line roller	87	6K120002	Rear cover screw
24	6K392102	Bail assembly	113	6K370501	Anti-reverse cam spring
27	6K371103	Bail spring cover A	116	6K339301	Bush
28	6K120002	Bail spring cover screw A	117	6K346101	One way clutch assembly
30	6K371503	Bail spring cover B	118	6K373001	One way clutch screw
31	6K120002	Bail spring cover screw B	119	6K025602	Bail trip spring
32	6K371015	Bail trip lever cover	120	6K200401	Oscillating slider
33	6K120002	Bail trip lever cover screw	122	6K200101	Oscillating slider screw
34	6K364401	Bail spring	123	61608701	Line roller lock washer
35	6K360801	Bail trip lever B	124	6B842102	Bail arm screw
36	6K370703	Rotor	125	6B842102	Bail trip cam screw
37	6B128702	Bush washer	126	6K660601	Handle lock washer
44	6K158702	Ball bearing	127	6K596103	Oscillating gear
			137	6K146701	Spool washer
			138	6K144601	Click gear

6KX908010

PRINTED IN KOREA

SOUTH BEND SPORTING GOODS
 1950 Stanley street, Northbrook, Illinois 60065
 847/715/1433 Fax 847/715/1411 Toll Free 800/222/9662