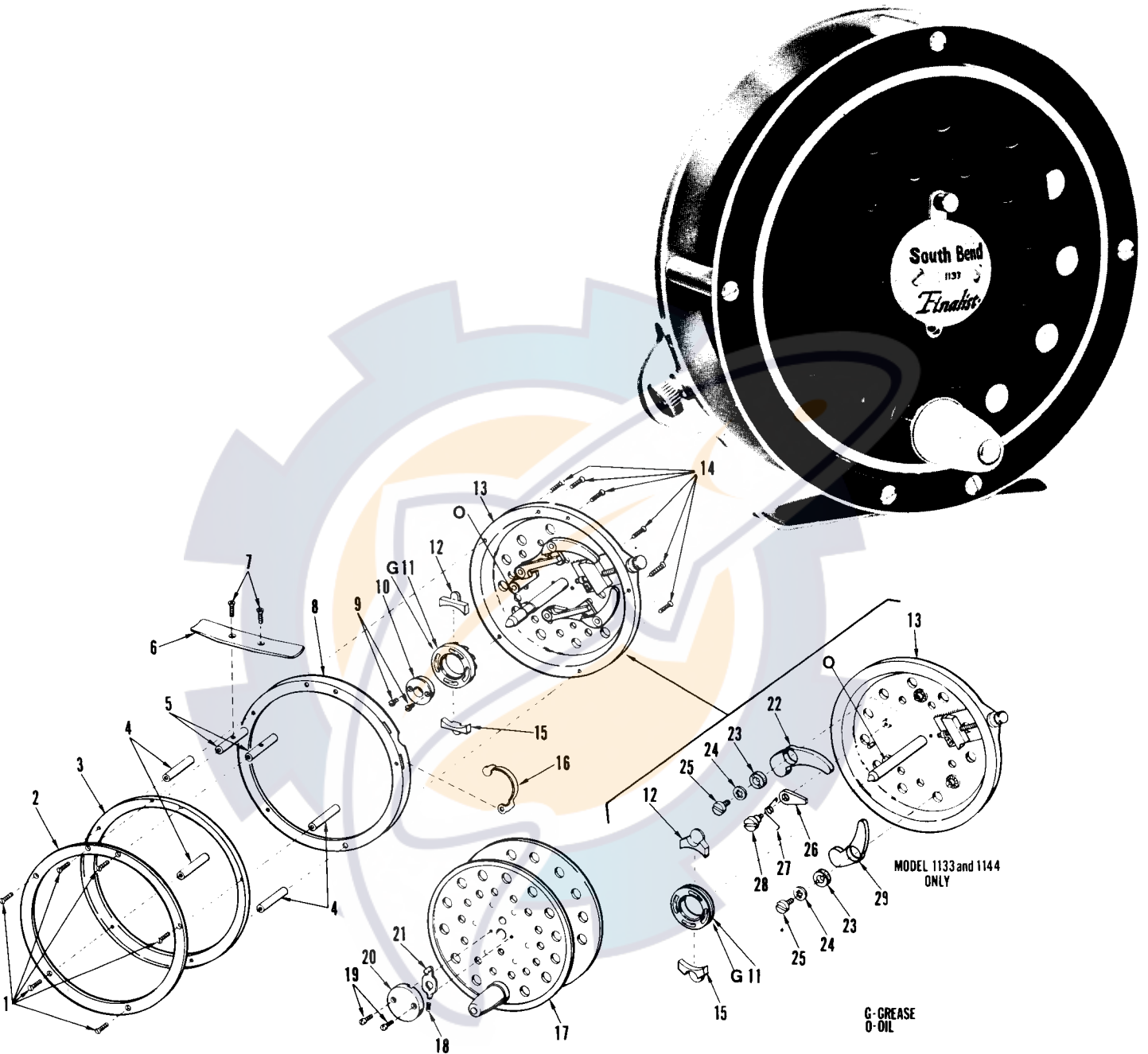




GLADDING
South Bend Tackle Co., Inc.
 Division of **GLADDING** Corporation

1133
 3-31-1133
FLY REEL



Detail No.	Part Name	Part No.	Price	Detail No.	Part Name	Part No.	Price
1	Pillar Screws	SA20-33/38	.10	17	Spool	SA54-33/1	4.00
2	Front Plate	SA23-33/6	1.20	18	Lock Spring	SA19-33/3	.15
3	Front Ring	SA26-33/7	.85	19	Cap Screws	SA1-33/5	.10
4	Side Pillars	SA29-33/9	.30	20	Spool Cap	SA65-33/4	.20
5	Bottom Pillars	SA31-33/10	.30	21	Spool Lock	SA4-33/2	.10
6	Rod Clip	SA33-33/11	.85	COMPLETE FRAME ASSEMBLY*			
7	Rod Clip Screws	SA35-33/12	.10	with Center Post, Click Pawl,			
8	Back Ring	SA36-33/16	1.25	Phenolic-Teflon Brake Seats,			
9	Drag Hub Screws	SA39-33/13	.10	1st and 2nd Stage Arms, Brake			
10	Drag Hub	SA40-33/14	.55	Arm Rivets Drag Screw Retainer,			
11	Drag Drum	SA41-33/15	.40	Drag Screw Retainer Rivets, Drag			
12	Drag Pad-1st Stage	SA43	1.00	Screw, Plastic Washer, Double			
13	Back Plate	SA45	*	Action Cam, 1st and 2nd Stage			
14	Back Plate Screws	SA48-33/8	.10	Levers. (Latter parts are riveted			
15	Drag Pad-2nd Stage	SA50	.35	and are not available separately as			
16	Knob Guard	SA52-33/19	.25	spare parts.)			