

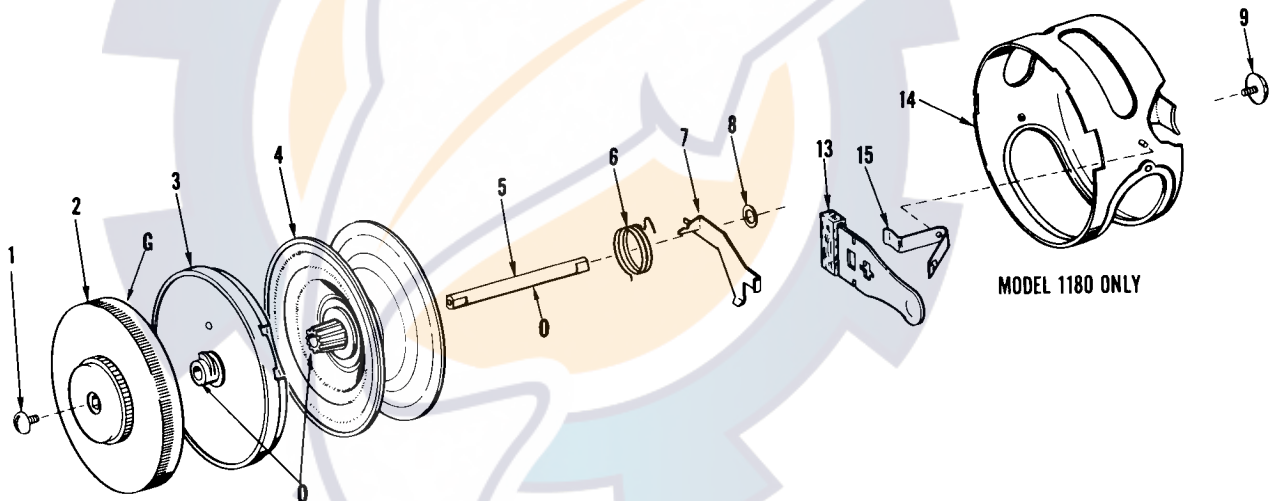


GLADDING
South Bend Tackle Co., Inc.
 Division of **GLADDING** Corporation

1180

3-42-1180

AUTOMATIC REEL



Detail No.	Part Name	Part No.	Price
1	Upper Staff Screw	AT1-AA19	.25
2	Drive Spring Cap Assembly	AT3-AE5	1.75
3	Gear Plate Assembly	AT5-AC7	1.80
4	Spool Assembly	AT7-AE17	1.60
5	Staff	AT9-AH18	.45
6	Break Coil Spring	AT10-A1	.20
7	Break Slide	AT12	.30
8	Shim Washer	AT13	.10
9	Lower Staff Screw	AT14	.45
13	Brake Lever Assembly	AT20-AA2	.75
14	Frame Assembly	AT25-AH6A	3.25
15	Brake Lever Tension Spring	AT27	.20