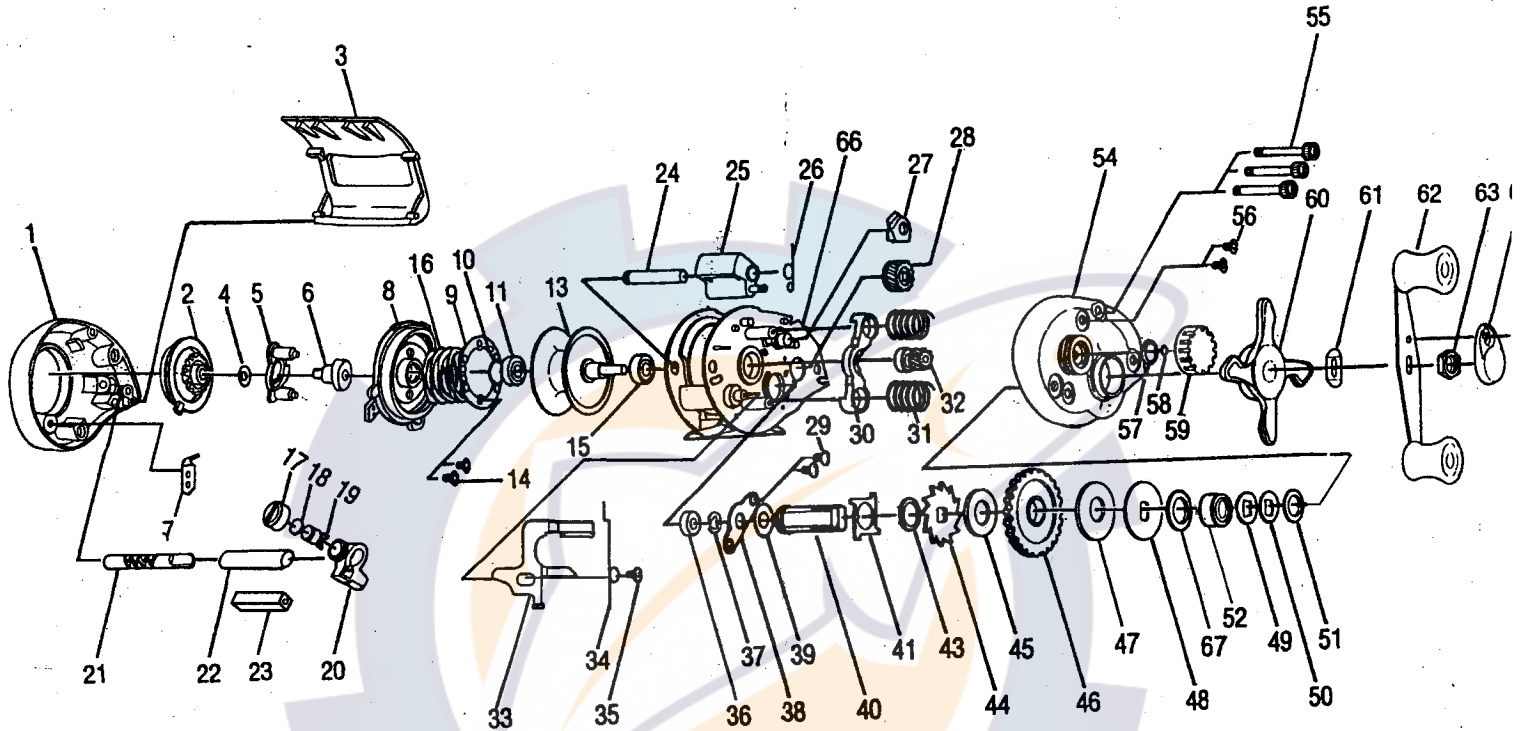




"An American Family Tradition"

BAITCASTING REEL

G2000A



Key No.	Parts No.	Parts Name
1	6K454512	Left side cover
2	6K298601	Magnet control dial
3	6K453715	Hood
4	6K180201	O ring
5	6K454701	Slider cam A
6	6K298501	Slider cam B
7	6K408801	Click claw
8	6K454601	Spool cover
9	6K191801	Magnet plate assembly
10	6K164602	Spool tension shim washer
11	6K190902	Ball bearing
13	6K454302	Spool assembly
14	6K509702	Magnet plat screw
15	6K190902	Ball bearing
16	6K296001	Coil spring
17	6K172501	Level wind nut
18	6K148801	Level wind pin washer
19	6K218401	Level wind pin
20	6K190401	Level wind
21	6K190701	Worm shaft
22	6K453301	Pipe
23	6K453401	Spacer
24	6K453201	Thumb bar pin
25	6K341502	Thumb bar assembly
26	6K453101	Thumb bar spring
27	6K193901	Anti reverse pawl assembly
28	6K193001	Level wind gear
29	6B933001	Crank shaft retainer screw
30	6K193301	Pinion yoke
31	6K193401	Pinion yoke spring
32	6K193101	Pinion gear
33	6K453501	Slide plate

Key No.	Parts No.	Parts Name
34	6K453601	Slide plate spring
35	6K538501	Screw
36	6K218301	Crank shaft bushing
37	63201402	Crank shaft E-ring
38	6K192501	Crank shaft retainer
39	6K192601	Crank shaft washer
40	6K192401	Crank shaft
41	6K193501	Trip ratchet
43	6K193601	Ratchet washer
44	6K193701	Anti reverse ratchet
45	6K193802	Drive gear washer
46	6K194202	Drive gear
47	6K194302	Drive disc
48	6K194401	Drag "D" washer
49	6K160702	Spring washer
50	6K160702	Spring washer
51	6K177302	Washer
52	6K582202	Ball bearing
54	6K453803	Right side cover
55	6K454801	Thumb screw
56	6E330402	Right side cover screw
57	6K195301	Tension knob o ring
58	6K195101	Tension knob washer
59	6K195201	Tension knob
60	6K195401	Drag star
61	6K161401	Handle washer
62	6K349914	Handle assembly
63	6K178301	Handle nut
64	6K178401	Handle nut cap
65	63511803	Handle nut cap screw
66	6K453001	Frame
67	63737810	Washer