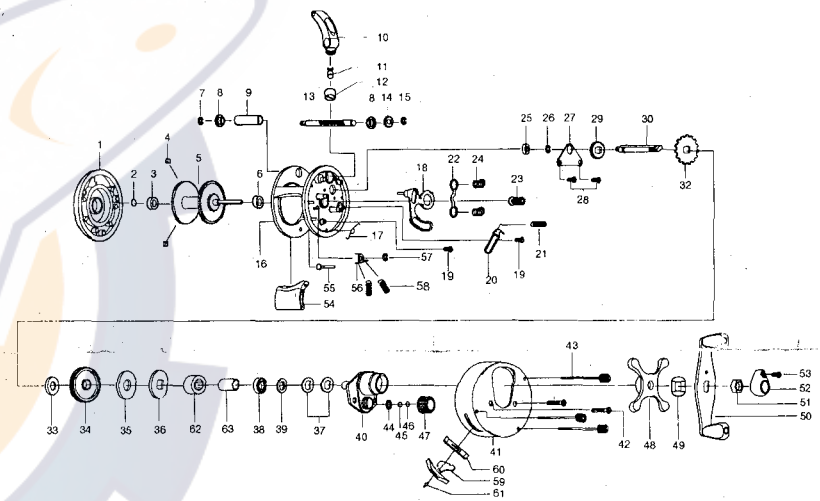
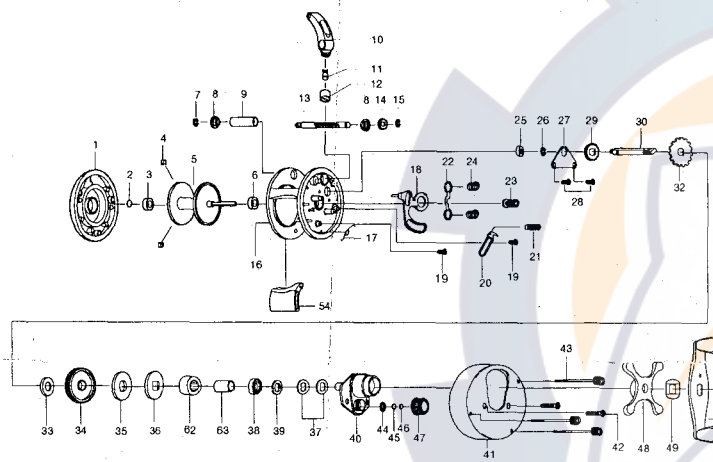


Oreno Classic

◆ No. OC-3500 **DIAGRAM**

◆ No. OC-3505W **DIAGRAM**



PARTS LIST

- | | | | | | |
|-------------------------|--------------------------|-------------------------------|---------------------------|--------------------------------|-------------------------------------|
| 1 Left Side Cover Ass'y | 12 Pawl Cap | 23 Pinion Ass'y | 35 Drag Disc Washer | 46 Tension Knob Shim | 57 E-Clip (OC-3505W) |
| 2 Spool Tension Shim | 13 Worm Shaft | 24 Yoke Spring | 36 Drag Washer | 47 Tension Knob | 58 Click Claw Spring (OC-3505W) |
| 3 Ball Bearing | 14 Oscillating Gear | 25 Crank Shaft Bush | 37 Spring "D" Washer | 48 Star Drag | 59 Sound Lever (OC-3505W) |
| 4 Brake Shoe | 15 E-Clip | 26 E-Clip | 38 Ball Bearing | 49 Handle Spring Washer | 60 Sound Lever Spring (OC-3505W) |
| 5 Spool Ass'y | 16 Frame | 27 Crank Shaft Retainer | 39 Bearing Washer | 50 Handle Ass'y | 61 Sound Lever Pin (OC-3505W) |
| 6 Ball Bearing | 17 Release Slider Spring | 28 Crank Shaft Retainer Screw | 40 Right Holder | 51 Handle Nut | 62 One Way Clutch Ball Bearing |
| 7 E-Clip | 18 Release Slider | 29 Idle Gear | 41 Right Side Cover | 52 Handle Nut Lock Cap | 63 One Way Clutch Ball Bearing Bush |
| 8 Worm Shaft Bush | 19 Release Slider Screw | 30 Crank Shaft | 42 Right Side Cover Screw | 53 Handle Nut Lock Screw | |
| 9 Carrier Guide | 20 Kick Lever | 32 Ratchet | 43 Thumb Screw | 54 Thumb Bar | |
| 10 Carrier Ass'y | 21 Kick Lever Spring | 33 Drive Gear Washer | 44 Tension Knob "O" Ring | 55 Click Claw Shaft (OC-3505W) | |
| 11 Line Guide Pawl | 22 Pinion Yoke | 34 Drive Gear | 45 Tension Knob Washer | 56 Click Claw (OC-3505W) | |