

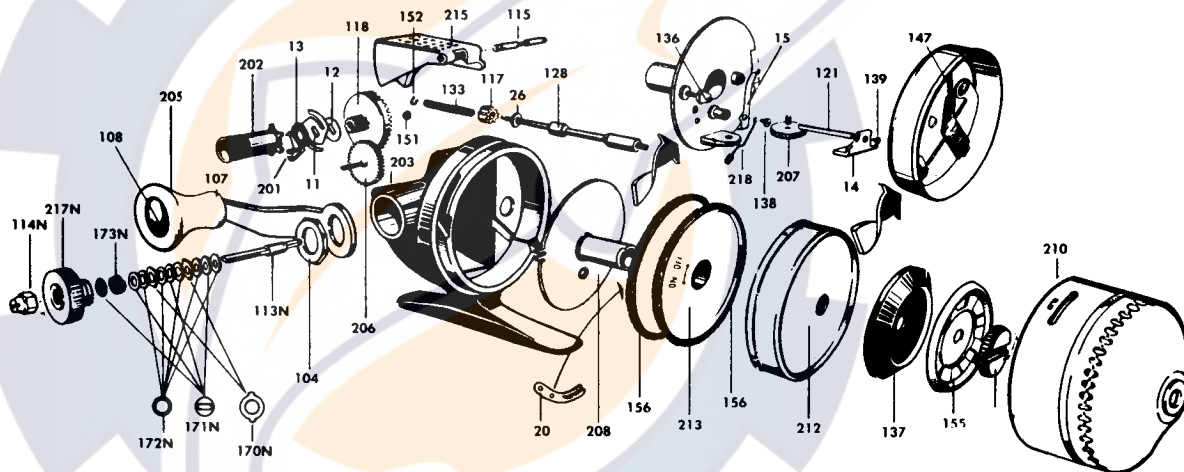
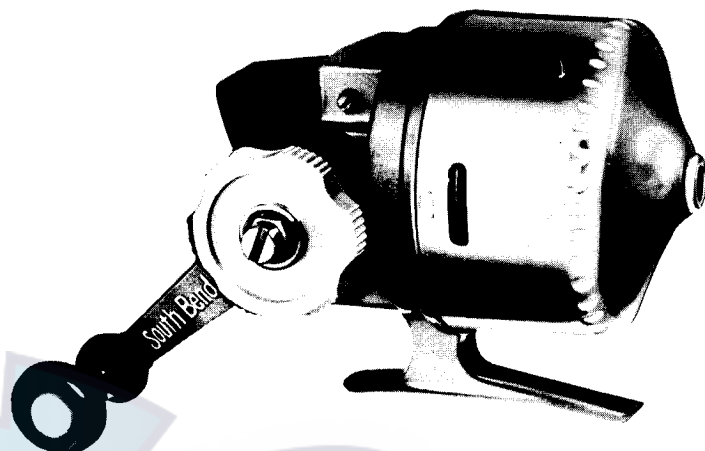


GLADDING
South Bend Tackle Co., Inc.
 Division of GLADDING Corporation

120

3-100-120

SPIN CAST REEL



Detail No.	Part Name	Part No.	Price	Detail No.	Part Name	Part No.	Price
203	Body without decal	120/203	6.00	206	Inner gear	120/206	1.50
13	Friction washer	120/13	.10	114	Crank shaft nut	120/114	.25
17	Waffle washer	120/17	.15	204	Gear plate	120/204	5.00
113	Main gear shaft	120/113	.50	207	Level wind gear	120/207	1.15
114	Main gear shaft nut	120/114	.20	14	Level wind cam	120/14	.40
115	Push-Button pin	120/115	.35	121	Level wind shaft	120/121	.35
118	Main gear w/main gear pinion	120/118	1.75	138	Level wind shaft screw	120/138	.10
151	Main gear nut	120/151	.10	128	Main Shaft	120/128	1.50
201	Anti-reverse pawl	120/201	.50	133	Main shaft spring	120/133	.10
215	Push button	120/215	1.00	152	Main shaft spring retainer	120/152	.10
104	Crank handle nut	120/104	.30	117	Pinion gear	120/117	.40
205	Crank assembly	120/205	1.25	26	Pinion gear washer	120/26	.10
170	Fixed drag washer (2)	120/170	.20	213	Spool	120/213	4.25
171	Drag washer (4)	120/171	.40	210	Cone	120/210	1.95
172	Drag friction washer (5)	120/172	.30	212	Pick-up Assembly	120/212	2.50
173	Drag spring	120/173	.30	135	Gear plate nut	120/135	.20
202	Crank Sleeve	120/202	1.45	136	Gear plate screw	120/136	.15
16	Crank handle spacer	120/16	.25	155	Fethering ring	120/155	.30
217	Drag adjusting nut	120/217	1.45				