

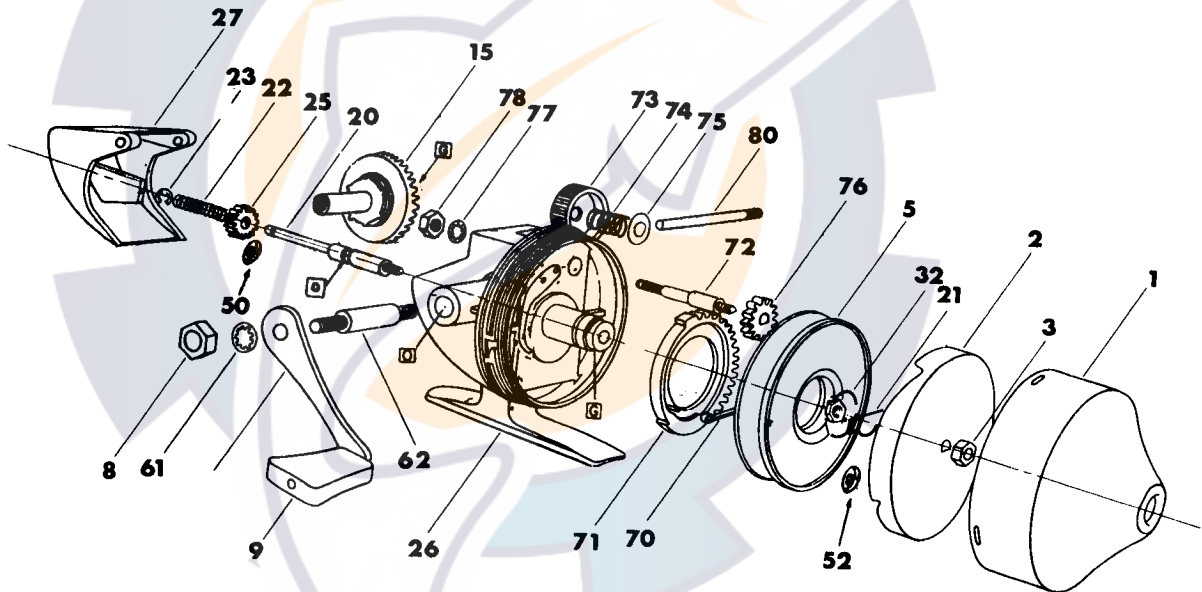


GLADDING
South Bend Tackle Co., Inc.
 Division of GLADDING Corporation

30A

3-100-030

SPIN CAST REEL



Detail No.	Part Name	Part No.	Price	Detail No.	Part Name	Part No.	Price
1	Outer Cone Assembly	30/1	1.00	50	Pinion Gear Thrust Washer	30/50	.10
2	Pick-Up Housing	30/2	.50	52	Fiber Washer for Pick-Up Housing	30/52	.10
3	Pick-Up Nut	30/3	.10	61	Crank Assembly Lock Washer	30/61	.10
5	Complete Spool Assembly (30 ES)	30/5	1.95	62	Outer Crank Shaft	30/62	.35
8	Crank Nut	30/8	.15	70	Drag Gear Spring	30/70	.10
9	Complete Crank Assembly with parts #8, 61 & 62	30/9*	1.00	71	Eccentric Drag Gear	30/71	.50
15	Drive Gear	30/15	.50	72	Drag Gear Pinion Shaft	30/72	.50
20	Main Shaft	30/20	.50	73	Drag Nut	30/73	.15
21	Main Shaft Trip Spring	30/21	.10	74	Drag Nut Spring	30/74	.10
22	Main Shaft Spring	30/22	.15	75	Drag Nut Washer	30/75	.10
23	Main Shaft Spring Retainer	30/23	.10	76	Drag Pinion	30/76	.25
25	Pinion Gear	30/25	.30	77	Drag Gear Pinion Shaft Lock Washer	30/77	.10
26	Frame Assembly	30/26	2.25	78	Hexagon Nut for Drag Gear Pinion Shaft	30/78	.10
27	Thumb Lever	30/27	.20	80	Thumb Lever Pin	30/80	.20
32	Spool Retainer Nut	30/32	.20				