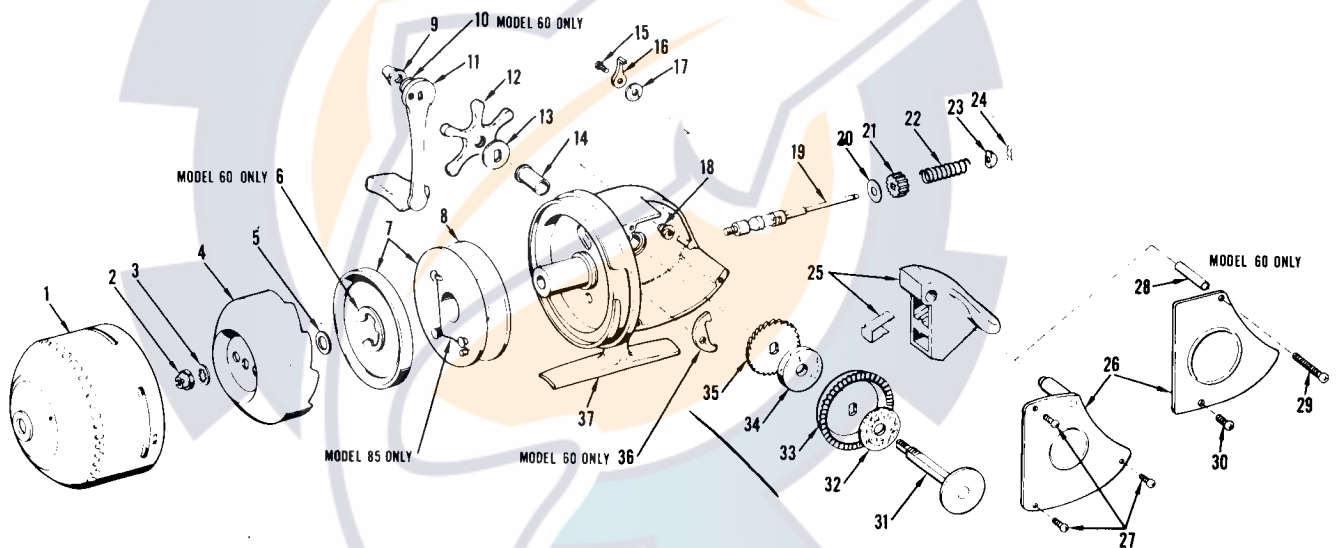




**GLADDING**  
**South Bend Tackle Co., Inc.**  
 Division of GLADDING Corporation

**60**  
 3-100-060

**SPIN CAST REEL**



Detail No.	Part Name	Part No.	Price	Detail No.	Part Name	Part No.	Price
1	Cone	PB46	1.75	22	Main Shaft Spring	PB80	.15
2	Pick-up Housing Nut	PB48	<del>25.20</del>	23	Retaining Clip Washer		.10
3	Lock Washer	PB50	.10	24	Retaining Clip	PB83	.10
4	Pick-up Housing	PB52	1.25	25	Thumb Lever Assembly	PB85	.75
5	Pick-up Washer		.10	26	Cover Plate	PB87	.45
6	Spool Retaining Ring	PB55	.15	28	Thumb Lever Sleeve	PB90	.20
7	Spool Assembly	PB56	2.30	29	Thumb Lever Screw	PB91	.15
9	Crank Nut	PB50	<del>25.20</del>	30	Cover Plate Screw	PB92	2x.15
10	Crank Nut Washer	PB62	.10	31	Gear, Stem	PB93	.50
11	Crank Assembly	PB63	1.20	32	Friction Washer	PB95	.10
12	Drag Star	PB65	.50	33	Drive Gear	PB97	.50
13	Tension Washer	PB67	.15	34	Fiber Washer	PB99	.10
14	Gear Stem Bearing	PB69	.35	35	Non Reverse Ratchet	PBA2	.30
19	Main Shaft	PB75	.50	36	Non Reverse Pawl	PBA4	.30
20	Pinion Washer		.10	37	Frame	PBA5	2.40
21	Pinion	PB78	.30				
					Trips Spring		2.5