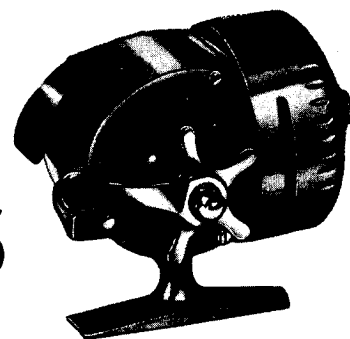


# STAR DRAG SPINCAST REELS 63-64-65



SPECIFY REFERENCE NUMBER & REEL MODEL NUMBER WHEN ORDERING REPLACEMENT PARTS

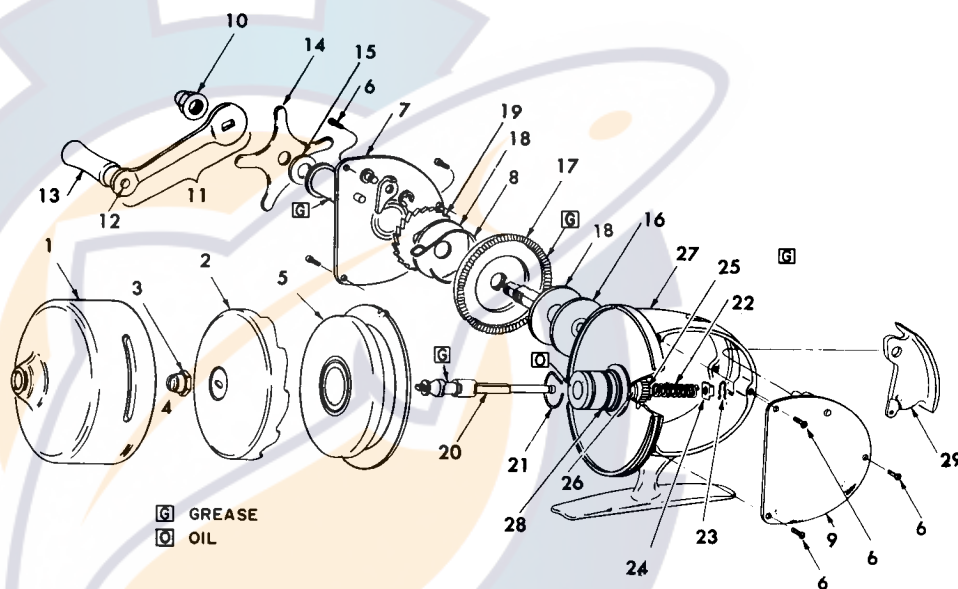


Diagram No.	Part Name	Reel 63		Reel 64		Reel 65	
		Part No.	Price	Part No.	Price	Part No.	Price
1	Outer Cone Assembly	CO-25	\$1.10	CP-25	\$1.25	CP-25	\$1.25
2	Pick up Housing	CM-24	.75	CN-24	.80	CN-24	.80
3	Pick up Nut	BA-83	.15	BA-83	.15	BA-83	.15
4	Pick up Nut Lock Washer	BA-15	.02	BA-15	.02	BA-15	.02
5	Spool Assembly	CG-15	1.25	CH-15	1.35	CH-15	1.35
6	Cover Plate Screw	R-18	.03	R-18	.03	R-18	.03
7	Cover Plate Assembly Crank Side	CK-27	.80	CL-27	.80	CL-27	.80
8	Non-reverse Pawl Spring	CB-40	.10	CB-40	.10	CB-40	.10
9	Cover Plate Assembly, Left	CK-33	.55	CL-33	.55	CL-33	.55
10	Crank Nut	BA-14	.10	BA-14	.10	BA-14	.10
11	Crank Assembly	CK-26	.65	CK-26	.65	CK-26	.65
12	Crank Stud	R-40	.10	R-40	.10	R-40	.10
13	Crank Handle	R-39	.25	R-39	.25	R-39	.25
14	Star Drag	CA-52	.60	CA-52	.60	CA-52	.60
15	Tension Washer	CC-54	.15	CC-54	.15	CC-54	.15
16	Gear Stem Assembly	RF-16	.65	RF-16	.65	RF-16	.65
17	Drive Gear	CK-32	.85	CK-32	.85	CK-32	.85
18	Friction Washer	CB-35	.15	CB-35	.15	CB-35	.15
19	Ratchet	BA-89	.10	BA-89	.10	BA-89	.10
20	Main Shaft	CF-18	.60	CF-18	.60	CF-18	.60
21	Main Shaft Trip Spring	CA-19	.03	CA-19	.03	CA-19	.03
22	Main Shaft Spring	C-19	.10	C-19	.10	C-19	.10
23	Main Shaft Spring Retainer	C-21	.02	C-21	.02	C-21	.02
24	Main Shaft Spring Retainer Washer	C-20	.05	C-20	.05	C-20	.05
25	Pinion Gear	C-22	.30	C-22	.30	C-22	.30
26	Pinion Thrust Washer	C-47	.03	C-47	.03	C-47	.03
27	Frame Assembly	CM-16	3.10	CM-16	3.35	CM-16	3.35
28	"O" Ring	CC-35	.10	CC-35	.10	CC-35	.10
29	Thumb Lever	CE-17	.30	CE-17	.30	CF-17	1.30

## OILING and GREASING

**OILING** your reel is necessary to insure proper operation and performance satisfaction. Oil parts indicated in diagram above. A light household oil is recommended.

**GREASING** is also necessary for proper reel performance. Using a light grease, such as Lubriplate, grease parts as indicated in diagram.

It is a good policy to take good care of your tackle. At the end of a fishing season disassemble your reel, clean thoroughly with a grease solvent, grease and oil the parts and reassemble. At the same time check parts for wear and replace worn parts. (See How to Order Repair Parts for buying new parts.)

**NOTE: When ordering parts, give reel part name, reel number and model.**