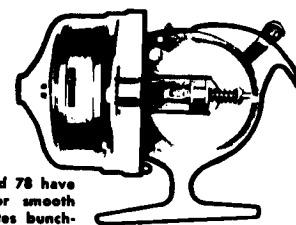
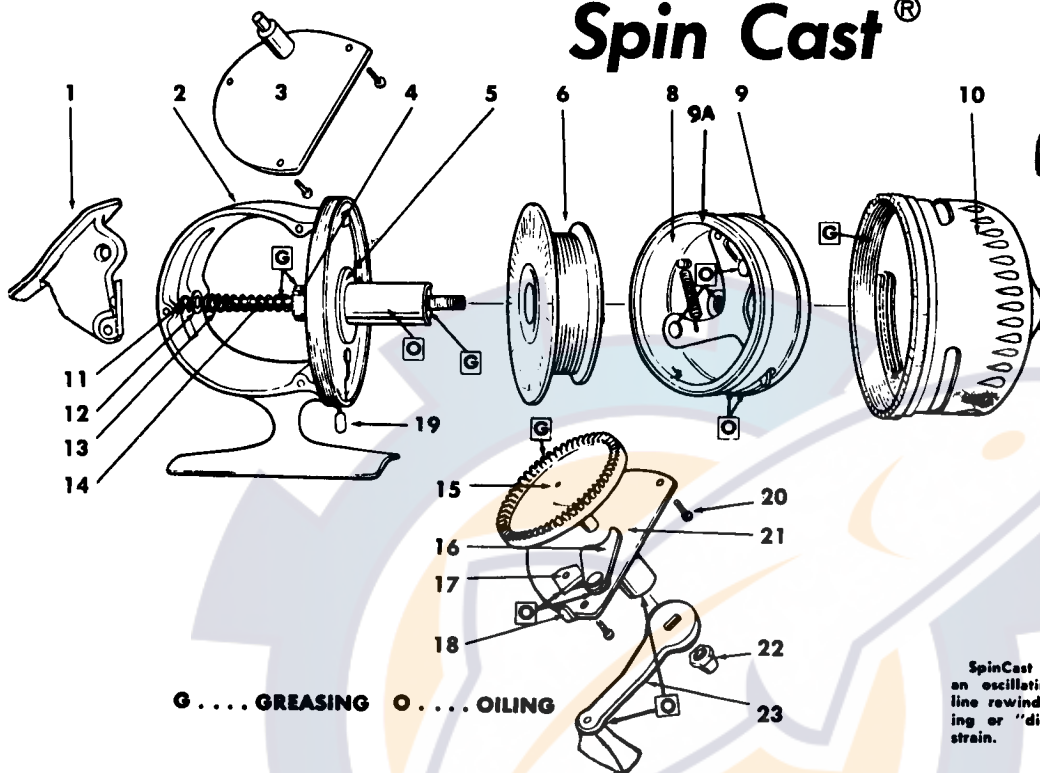


### Spin Cast®



SpinCast Models 89 and 78 have an oscillating pickup for smooth line rewind that eliminates bunching or "digging in" even under strain.

DIAGRAM No.	PART NAME	PART NUMBERS AND PRICE					
		66		67		77	
		Ref. No.	Price	Ref. No.	Price	Ref. No.	Price
1	Control Button	CA-17	\$ .40	CA-17	\$ .40	C-17	\$ .70
2	Frame Assembly	CD-16	3.75	CK-16	4.00	C-16	3.75
3	Left Cover Plate	CD-33	.55	CJ-33	.55	C-33	.55
4	Pinion Gear	C-22	B4431 .30	C-22	B4431 .30	C-22	B4431 .30
5	Spool Friction Washer	C-35	FL4485 .03	CA-35	FL4516 .03	C-35	FL4485 .03
6	Spool Assembly	A-15	A4454 1.75	CD-15	A4654 2.25	C-15	A4454 1.75
8	Pickup Assembly	C-24	A4986 3.05	CE-24	A4999 3.20	C-24	A4986 3.05
9	Pickup Wear Rings (Front)	C-36	B4644K .35	B-61	B4288K .35	C-36	B4644K .35
9A	Pickup Wear Rings (Rear)	CA-36	B4138K .60	CB-36	B4140K .60	CA-36	B4138K .60
10	Outer Cone Assembly	CG-25	2.55	CN-25	2.65	CH-25	3.80
11	Retainer Spring	C-21	E4475 .02	C-21	E4475 .02	C-21	E4475 .02
12	Spring Retainer Washer	C-20	B4634 .05	C-20	B4634 .05	C-20	B4634 .05
13	Main Shaft Spring	C-19	E4432 .10	C-19	E4432 .10	C-19	E4432 .10
14	Main Shaft	C-18	E4430 .45	CE-18	E4649 .45	C-18	E4430 .45
15	Drive Gear Assembly	C-32	1.30	CE-32	A4442 1.30	C-32	1.30
16	Non-Reverse Pawl	C-30	.05	C-30	A4520 .15	C-30	.05
17	Non-Reverse Throwout	C-31	.15	C-31	B4444K .20	C-31	.15
18	Non-Reverse Lever	C-28	B4444K .20	C-28	E4499 .10	C-28	B4444K .20
19	Drag Adjusting Spring	C-23	E4502 .10	CB-23	B840K .03	C-23	E4502 .10
20	Cover Plate Screws	R-18	B840K .03	R-18	B840K .03	R-18	B840K .03
21	Right Cover Plate	CD-27	1.00	CJ-27	1.00	C-27	1.00
22	Crank Nut	BA-14	D4644N .10	BA-14	D4644N .25	RG-11	B3290K .25
23	Crank Assembly	CD-26	.65	CH-26	.65	C-26	QP4480K .70
24	Pick-up Arm Assembly	C38A	A4674 .60	CE-38	A4498 1.25	C38A	A4674 .60
25	Pick-up Arm Retaining Ring	R51	E-96 .02	R-51	E96 .02	R-51	E96 .02
26	Pick-up Arm Retaining Washer	CA-47	B4460N .03	CA-47	B4460N .03	CA-47	B4460N .03

Note: Prior to the introduction of the Contour Control SpinCast Reel in June, 1959, all SpinCast reels had non-fluted Outer Cone Assemblies. When ordering this part, please indicate if reel is Contour Control.

REF. No.	PART NAME	66 Part No.	Price	67 Part No.	Price	77 Part No.	Price
10	Outer Cone Assembly Non-Fluted	CG-25	\$2.55	CN-25	2.65	C-25	\$3.15

### DISASSEMBLY and ASSEMBLY INSTRUCTIONS

1. Unscrew Outer Cone Assembly from the frame. 2. Hold crank from turning and unscrew Pickup Assembly (Ref. No. 8) from Main Shaft. Line Spool slides off from spool bearing. 3. Remove Crank Nut (Ref. No. 22) and slip off Crank. 5. Remove Cover Plate Screws (Ref. No. 20) and lift out Right Cover Plate Assembly (Ref. No. 21). Drive Gear Assembly (Ref. No. 15) slides out. 6. To remove Control Button, remove Left Cover Plate

(Ref. No. 3). Note: On Level-Wind models, Main Shaft (Ref. No. 14) slides forward through bearing. On Non Level-Winding models, Main Shaft is removed through gear housing after spring and pinion are removed. To reassemble, repeat above procedure in reverse order. Be sure Level-Wind cam is engaged when Right Cover Plate is replaced.

Numbers shown in red common to both South Bend and Shakespeare.

**NOTE: When ordering parts, give reel part name, reel number and model.**