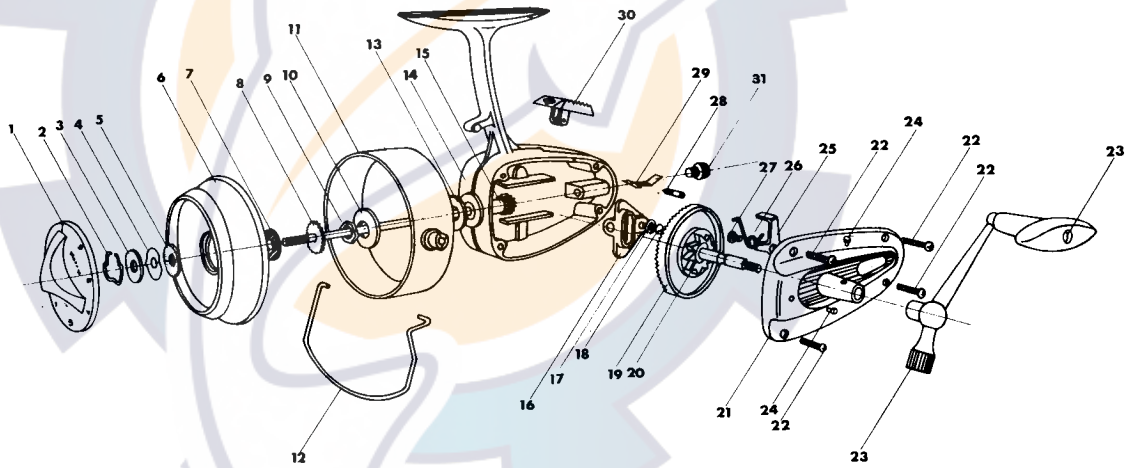


GLADDING
South Bend Tackle Co., Inc.
 Division of GLADDING Corporation

720
 3-200-720
SPINNING REEL



| Detail No. | Part Name | Part No. | Price | Detail No. | Part Name | Part No. | Price |
|------------|-------------------------|----------|-------|------------|--|----------|-------|
| 1 | Brake Nut | 720/1 | .35 | 17 | Lock Washer | 720/17 | .10 |
| 2 | Safety Ring | 720/2 | .10 | 18 | Screw for Slide | 720/18 | .10 |
| 3 | Steel Washer | 720/3 | .10 | 19 | Drive Gear | 720/19 | .50 |
| 4 | Spring Washer | 720/4 | .10 | 20 | Brass Washer | 720/20 | .10 |
| 5 | Felt Washer | 720/5 | .10 | 21 | Side Plate Cover | 720/21 | .60 |
| 6 | Complete Spool Assembly | 720/6 | 1.95 | 22 | Cover Screw | 720/22 | .10 |
| 7 | Fiber Washer | 720/7 | .10 | 23 | Crank Handle, complete with Handle Grip & Grip Stud | 720/23 | 1.00 |
| 8 | Axle, Complete | 720/8 | .50 | 24 | Oiler Cap | 720/24 | 2@.05 |
| 9 | Hexagon Nut | 720/9 | .10 | 25 | Anti-Reverse Lever | 720/25 | .10 |
| 10 | Washer | 720/10 | .10 | 26 | Anti-Reverse Spring | 720/26 | .10 |
| 11 | Flange | 720/11 | 1.25 | 27 | Lug Screw for Anti-Reverse | 720/27 | .10 |
| 12 | Pick-Up Arm | 720/12 | .40 | 28 | Anti-Reverse Thumb Lever Screw | 720/28 | .10 |
| 13 | Washer | 720/13 | .10 | 29 | Anti-Reverse Thumb Lever Spring | 720/29 | .10 |
| 14 | Frame Assembly | 720/14 | 2.00 | 30 | Anti Reverse Thumb Lever | 720/30 | .30 |
| 15 | Drive Pinion | 720/15 | .55 | 31 | Guide Screw | 720/31 | .10 |
| 16 | Slide | 720/16 | .25 | | | | |