



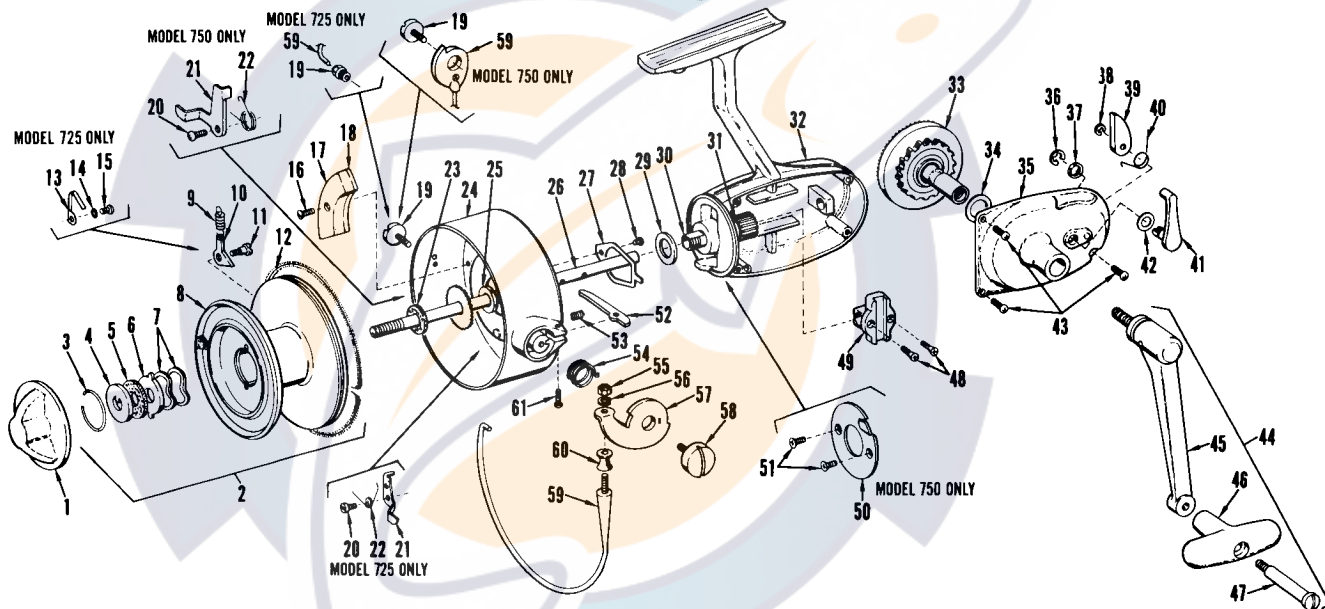
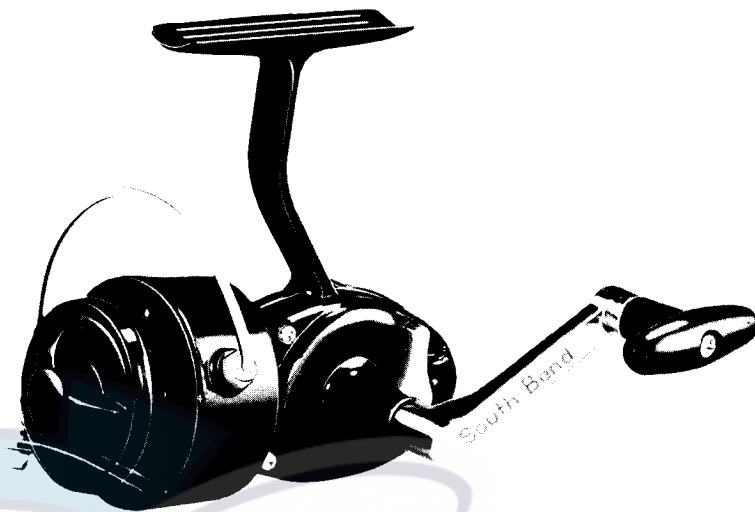
GLADDING
South Bend Tackle Co., Inc.

Division of GLADDING Corporation

725

3-200-725

SPINNING REEL



Detail No.	Part Name	Part No.	Price	Detail No.	Part Name	Part No.	Price
1	Drag Nut	SPC37	.45	30	Pinion Gear	SPC88	.30
2	Spool Assembly	SPC40	2.75	31	Pinion Washer, Thin	SPC91	.10
3	Retaining Ring	SPC43	.10	32	Frame	SPC94	2.45
4	Keyed Drag Washer	SPC44	.15	33	Drive Gear	SPC97	.75
5	Leather Drag Washer	SPC45	.10	34	Drive Gear Washer	SPD1	.10
6	Eared Drag Washer	SPC47	.15	35	Cover Plate	SPD4	1.00
7	Tension Washer	SPC48	.10	36	Lever Retaining Ring	SPB96	.10
9	Click Pawl Spring	SPC53	.15	37	Non Reverse Cam Washer	SPD7	.10
10	Click Pawl	SPC54	.30	38	Pawl Retaining Ring	SPB97	.10
11	Click Pawl Screw	SPC55	.10	39	Non Reverse Pawl	SPD8	.15
12	Line Guard	SPC56		40	Non Reverse Spring	SPB99	.15
13	Click Spring	SPC59	.25	41	Non Reverse Lever	SPD9	.30
14	Washer	SPC60	.10	42	Lever Tension Washer	SPC1	.15
15	Click Spring Screw	SPB67	.10	43	Cover Plate Screws	SPD11	.10
16	Balance Weight Screw	SPC61	.10	44	Crank Assembly	SPD12	1.10
17	Balance Weight, lge.	SPC64	.50	45	Crank Arm	SPD15	.70
19	Bail Retaining Screw	SPC68	.30	46	Crank Handle	SPD18	.30
20	Trip Lever Screw	SPC70	.15	47	Crank Handle Screw	SPD20	.10
21	Trip Lever	SPC71	.30	48	Bracket Screw	SPD22	.35
22	Trip Lever Spring	SPC72	.15	49	Level Wind Bracket	SPD23	.15
23	Spool Washer	SPC73	.10	54	Bail Bracket Spring	SPD27	.15
24	Pick-up Housing	SPC74	1.55	55	Line Roller Nut	SPD29	.10
25	Pick-up Housing Nut	SPC77	.10	56	Lock Washer	SPC36	.10
26	Main Shaft	SPC78	.50	57	Bail Bracket	SPD30	.35
27	Trip Spring	SPC81	.15	58	Bail Bracket Screw	SPD32	.35
28	Trip Spring Screw	SPC84	.10	59	Bail Wire	SPD34	.80
29	Pinion Washer-Thick	SPC87	.10	60	Line Roller	SPD36	.30