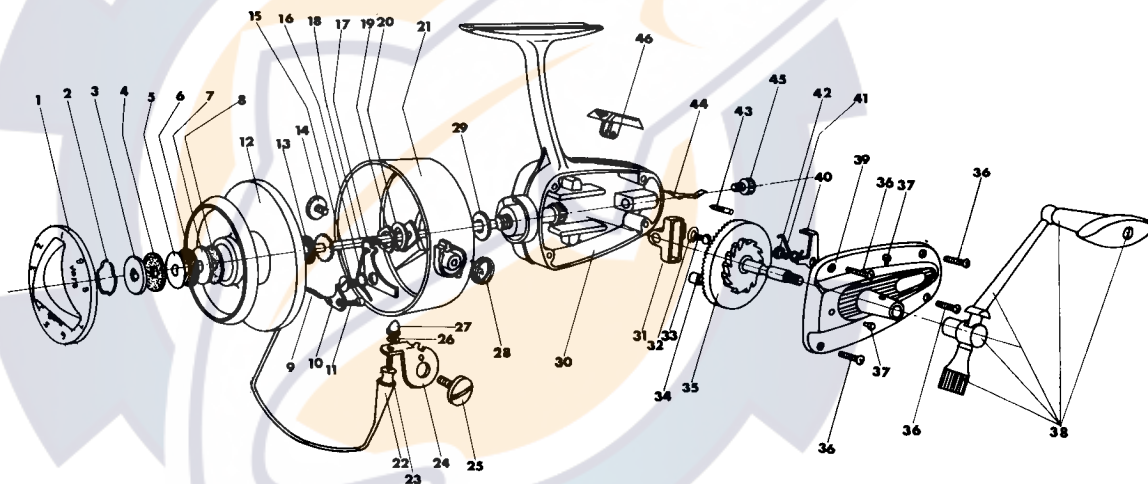
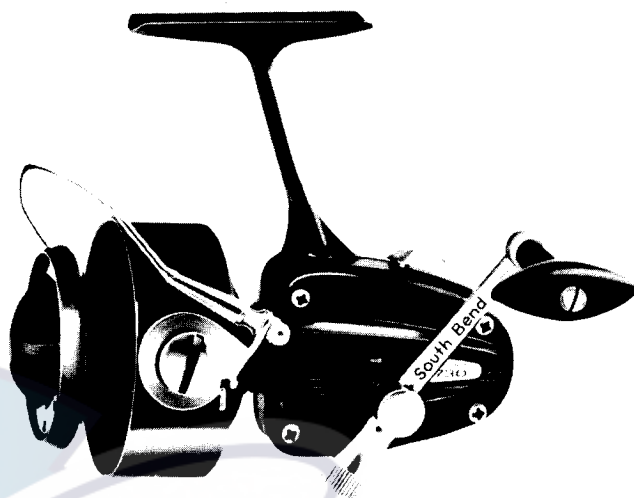




GLADDING
South Bend Tackle Co., Inc.
 Division of **GLADDING** Corporation

730
 3-200-730
SPINNING REEL



Detail No.	Part Name	Part No.	Price	Detail No.	Part Name	Part No.	Price
1	Brake Nut	730/1	.50	25	Bearing Screw for Angle Lever	730/25	.25
2	Safety Ring	730/2	.10	26	Lock Washer	730/26	.10
3	Keyed Steel Washer	730/3	.10	27	Round Head Nut	730/27	.15 25
4	Spring Washer	730/4	.10	28	Changing Spring	730/28	.10 25
5	Fiber Washer	730/5	.10	29	Washer	730/29	.10
6	Spring Washer	730/6	.10	30	Frame Assembly	730/30	3.00
7	Keyed Steel Washer	730/7	.10	31	Slide	730/31	.25
8	Leather Washer	730/8	.10	32	Washer	730/32	.10
9	Click Spring	730/9	.15	33	Screw for Slide	730/33	.10
10	Click Tongue	730/10	.10	34	Roller for Drive Gear	730/34	.10
11	Lug Screw for Click Tongue	730/11	.10	35	Drive Gear Assembly	730/35	.50
12	Complete Spool Assembly with Part Numbers 1 through 11	730/12	2.75	36	Cover Screw	730/36	.10
13	Washer	730/13	.10	37	Oiler Cap	730/37	2@.05
14	Bearing Screw	730/14	.20	38	Crank Arm Complete with Handle Grip and Grip Stud	730/38	1.65
15	Lug Screw for Stop Lever	730/15	.15	39	Side Plate Cover	730/39	1.00
16	Stop Lever Spring	730/16	.10	40	Anti-Reverse	730/40	.10
17	Stop Lever	730/17	.25	41	Anti-Reverse Spring	730/41	.10
18	Axle, Complete	730/18	.50	42	Lug Screw for Anti-Reverse	730/42	.10
19	Hexagon Nut	730/19	.10	43	Anti-Reverse Thumb Lever Pin	730/43	.10
20	Tongue Washer	730/20	.10	44	Anti-Reverse Thumb Lever Spring	730/44	.10
21	Flange	730/21	2.25	45	Guide Screw	730/45	.10
22	Pick-Up Arm	730/22	.85	46	Anti-Reverse Thumb Lever	730/46	.50
23	Line Guide	730/23	.25	47	Drive Pinion Gear	730/47	.65
24	Angle Lever	730/24	.25				