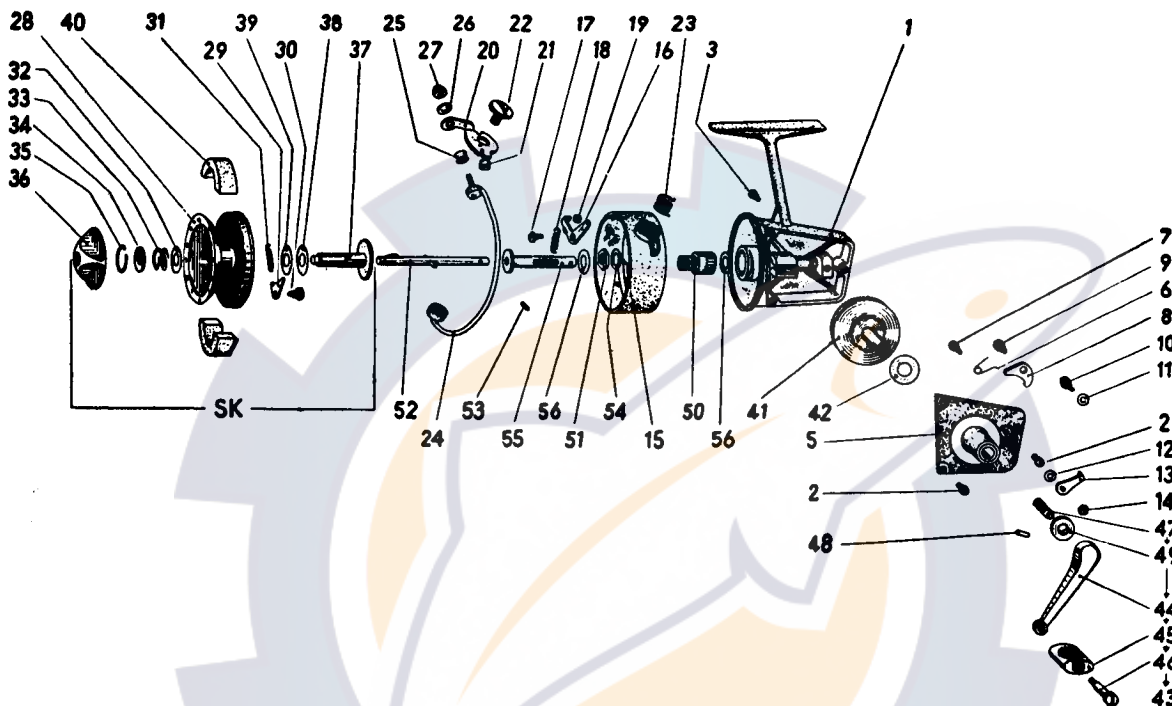




Gear Ratio: 1:3.3
Weight: 11 oz.
Capacity:
330 yds. 4 lb. line



PART NO.	DESCRIPTION	PRICE	PART NO.	DESCRIPTION	PRICE	PART NO.	DESCRIPTION	PRICE
238/1	Case	\$2.25	238/21	Rubber Ring	\$.10	238/40	Cork Ring, (2 halves)	\$.25
238/2	Cover Screw	\$.10	238/22	Bearing Screw	\$.40	238/41	Driving Gear with Axle	\$1.50
238/3	Screw for Bearing Bushing	\$.10	238/23	Changing Spring	\$.15	238/42	Cellon Washer	\$.10
238/4	Case Cover, Complete with Bushing and Anti-Reverse Clutch	\$2.75	238/24	Pick-up Arm, Complete	\$1.75	238/43	Crank Arm, Complete	\$1.50
238/6	Anti-Reverse Clutch Spring	\$.10	238/25	Line Guide	\$.25	238/44	Crank Arm	\$.60
238/7	Rivet for Spring	\$.10	238/26	Lock Washer	\$.10	238/45	Handle Grip	\$.30
238/8	Clutch Lever	\$.15	238/27	Hexagon Nut	\$.15	238/46	Grip Screw	\$.25
238/9	Rivet for Clutch Lever	\$.10	238/28	Line Spool, without Brake Spindle or Brake Nut (Specify Deep or Shallow)	\$2.00	238/47	Hinge Bolt	\$.50
238/10	Changing Bolt	\$.30	238/29	Click Tongue	\$.15	238/48	Pin	\$.10
238/11	Washer	\$.10	238/30	Lug Pin	\$.10	238/49	Washer	\$.10
238/12	Spring Washer	\$.10	238/31	Tension Spring	\$.15	238/50	Spur Wheel	\$1.35
238/13	Anti-Reverse Lever	\$.40	238/32	Washer	\$.10	238/51	Hexagon Nut	\$.15
238/14	Round Head Nut	\$.15	238/33	Brake Spring	\$.25	238/52	Axle, Complete	\$1.00
238/15	Flange	\$2.25	238/34	Tongue Washer	\$.15	238/53	Sliding Pin	\$.10
238/16	Stop Lever	\$.25	238/35	Security Ring	\$.10	238/54	Driving Plate	\$.10
238/17	Lug Screw	\$.10	238/36	Brake Nut, Complete	\$.50	238/55	Bearing Bushing	\$.75
238/18	Tension Spring	\$.15	238/37	Brake Spindle, Complete	\$1.00	238/56	Washer	\$.10
238/19	Tube for Stop Lever	\$.10	238/38	Washer (Metal)	\$.10	238/SK	Spool, Complete with Brake Spindle and Brake Nut (Specify Deep or Shallow)	\$3.50
238/20	Angle Lever	\$.50	238/39	Washer (Resitex)	\$.10			

South Bend Tackle Company, Inc.
Division of GLADDING Corporation
South Otsell, New York 13155

