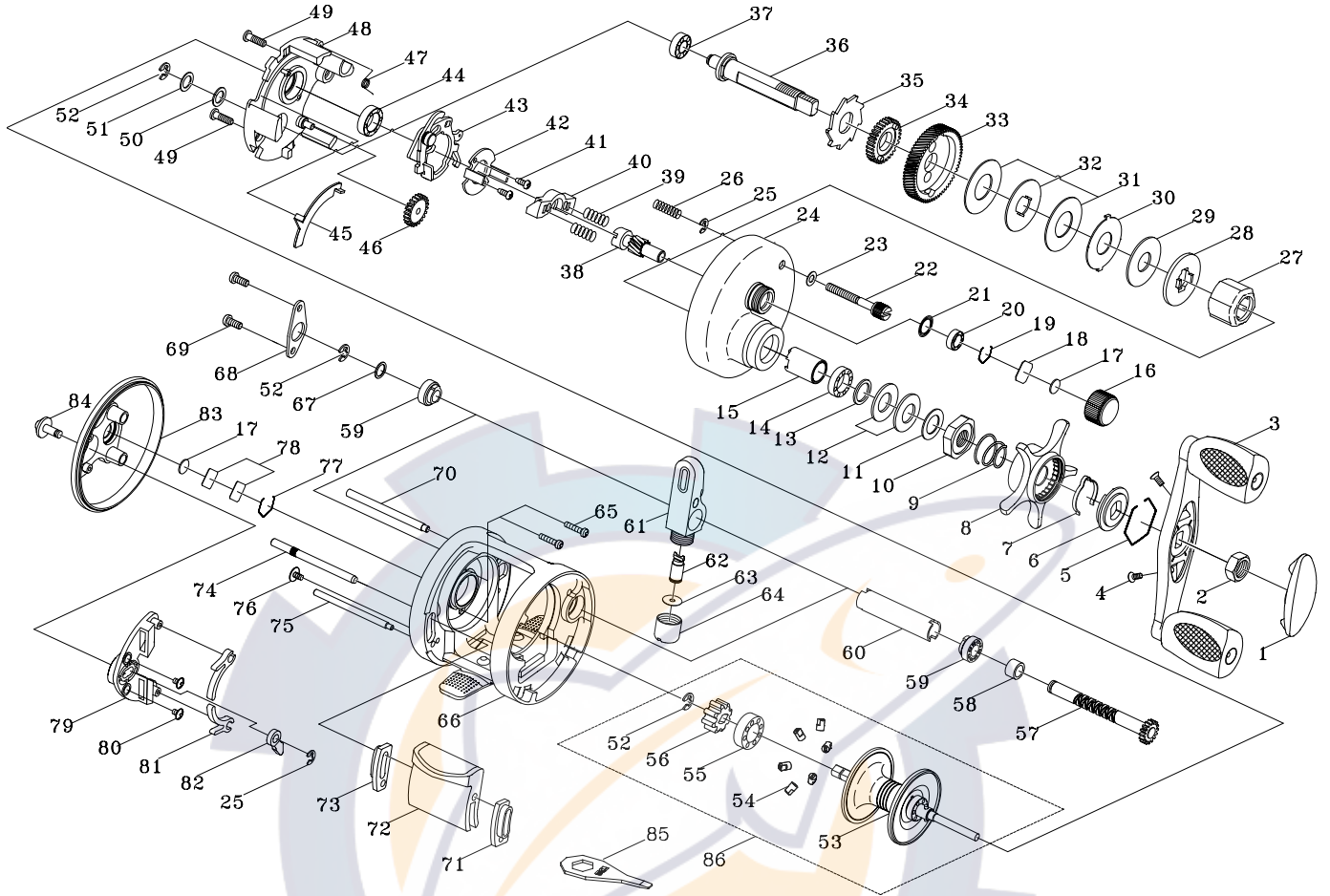




BAIT CASTING REEL

CAIMAN

CT100R



Key No.	Parts No.	Parts Name	Key No.	Parts No.	Parts Name
1	2F5-097-01	HANDLE NUT CAP	44	2Z1-010-05	812-3.5 BALL BEARING
2	2E3-016-01	NUT	45	2M2-017-01	CLUTCH PLATE
3	2YH-084-01	HANDLE TOTAL ASSEMBLY	46	2G3-022-01	IDLE GEAR
4	2E2-030-02	F20M-050 SCREW	47	2Q3-086-01	RETRACTOR SPRING
5	2E4-018-01	RETAINER	48	2F8-016-01	GEAR SETTING PLATE
6	2F8-050-01	CLICK LEAF SPRING HOLDER	49	2E2-031-01	A26M-075 SCREW
7	2L3-029-01	CLICK LEAF SPRING	50	2W1-054-01	052-080 WASHER
8	2D4-008-02	STAR DRAG LEVER	51	2W1-070-01	052-080 WASHER
9	2Q1-052-01	STAR DRAG SPRING	52	2E5-013-01	E3.0 RETAINER
10	2E3-029-01	STAR DRAG NUT	53	2YS-061-01	SPOOL ASSEMBLY
11	2W1-020-01	081-130 WASHER	54	2C2-057-01	BRAKE COLLAR
12	2L1-004-01	SPRING WASHER	55	2Z1-023-05	814-4 BALL BEARING
13	2W1-035-05	080-105 WASHER	56	2F3-037-01	CLICK GEAR
14	2Z1-024-05	812-2.5 BALL BEARING	57	2YM-041-01	WORM SHAFT ASSEMBLY
15	2A4-022-01	ONE-WAY CLUTCH INNER TUBE	58	2C1-059-01	SPACER
16	2E3-024-01	CAST CONTROL NUT	59	2C2-042-01	WORM SHAFT BUSH
17	2W5-026-01	SPACER	60	2C4-015-01	LEVEL WIND GUARD
18	2W5-029-01	CAST CONTROL SPACER	61	2YR-038-01	LINE GUIDE ASSEMBLY
19	2E4-019-01	BEARING RETAINER	62	2M5-005-01	LINE GUIDE PIN
20	2Z1-001-05	508-2.5 BALL BEARING	63	2W1-100-01	020-068 WASHER
21	2E9-005-01	O RING	64	2E3-014-01	LINE GUIDE NUT
22	2E0-011-01	RIGHT SIDE COVER SCREW	65	2E2-034-01	A20M-090 SCREW
23	2W1-132-01	036-060 WASHER	66	2YB-096-02	BODY ASSEMBLY
24	2YF-034-05	RIGHT SIDE COVER ASSEMBLY	67	2W1-046-01	051-068 WASHER
25	2E5-006-01	E2.5 RETAINER	68	2F6-050-01	BEARING HOLDING PLATE
26	2Q1-056-01	RIGHT SIDE COVER SCREW SPRING	69	2E2-037-01	A26M-060 SCREW
27	2YZ-007-01	ONE-WAY CLUTCH BEARING ASSEMBLY	70	2P4-006-02	LEVEL WIND GUIDE
28	2W2-032-01	KEY WASHER	71	2C4-013-01	CASTING BAR GUIDE A
29	2W1-126-01	082-210 WASHER	72	2YS-085-01	CASTING BAR ASSEMBLY
30	2W3-017-01	EARED WASHER	73	2C4-014-01	CASTING BAR GUIDE B
31	2W1-111-01	100-230 WASHER	74	2P2-021-01	CASTING BAR PIN
32	2W2-025-01	KEY WASHER	75	2P4-008-02	CASTING BAR SUPPORT
33	2G1-027-01	DRIVE GEAR	76	2E2-003-01	B26M-036 SCREW
34	2YG-023-01	OSCILLATING GEAR ASSEMBLY	77	2E4-011-01	BEARING RETAINER
35	2A3-027-01	RATCHET	78	2W5-015-01	CAST CONTROL SPACER
36	2M3-048-01	DRIVE SHAFT	79	2F6-055-01	CLICK PLATE
37	2Z1-018-05	510-3 BALL BEARING	80	2E2-022-01	B20M-030 SCREW
38	2G2-010-01	PINION GEAR	81	2F2-020-01	CLICK SPRING
39	2Q1-031-01	YOKE SPRING	82	2F4-018-01	CLICK PAWL
40	2A2-039-01	PINION YOKE	83	2F5-123-02	LEFT SIDE COVER
41	2E2-047-01	A20M-065 SCREW	84	2F7-004-01	CLICK SWITCH
42	2F8-030-01	CLUTCH CAM RETAINER	85	2X3-004-01	WRENCH
43	2YA-018-01	CLUTCH CAM ASSEMBLY	86	2YT-144-01	SPOOL TOTAL ASSEMBLY