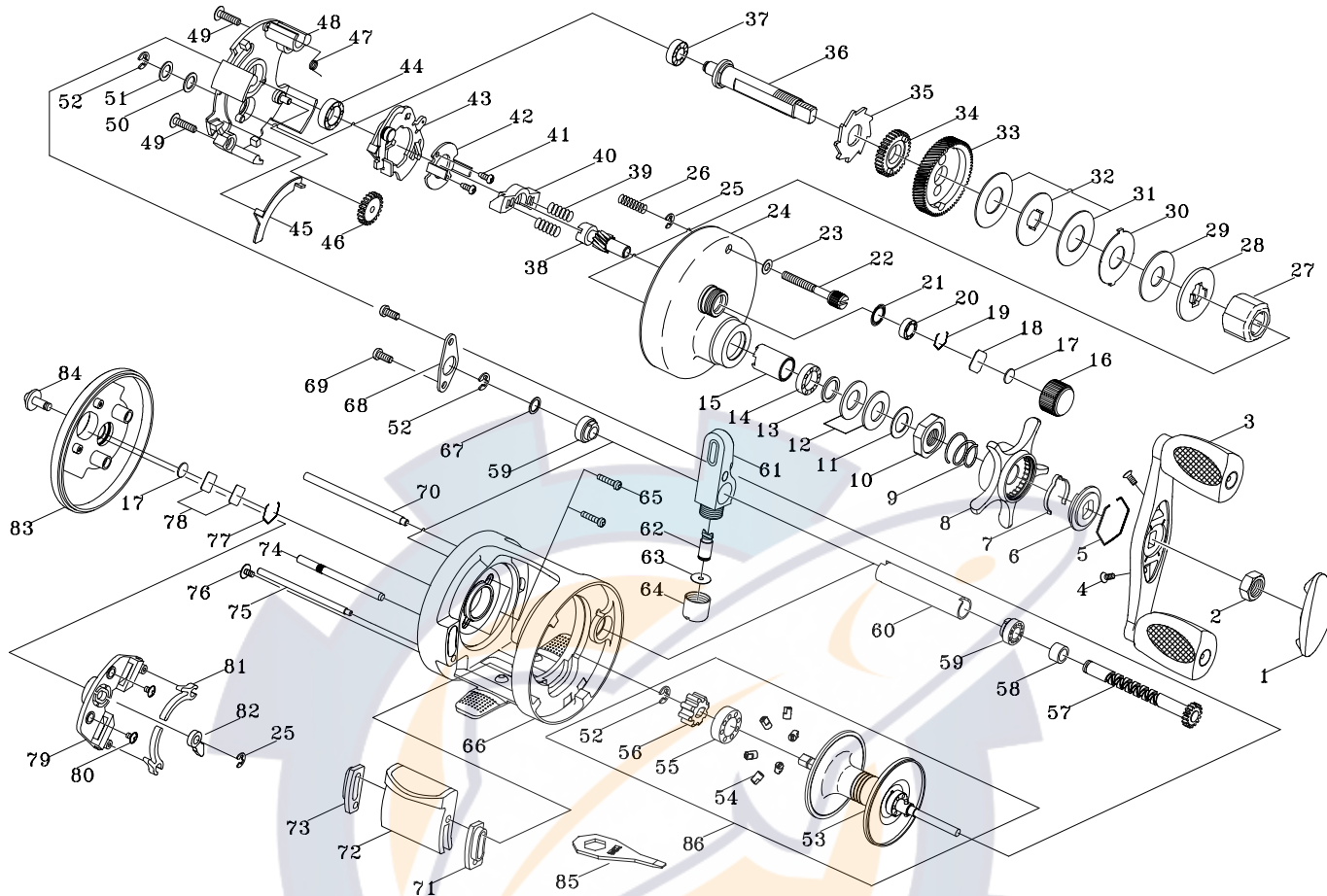




BAIT CASTING REEL

CAIMAN

CT150R



| Key No. | Parts No.  | Parts Name                      | Key No. | Parts No.  | Parts Name            |
|---------|------------|---------------------------------|---------|------------|-----------------------|
| 1       | 2F5-097-01 | HANDLE NUT CAP                  | 44      | 2Z1-010-05 | 812-3.5 BALL BEARING  |
| 2       | 2E3-016-01 | NUT                             | 45      | 2M2-002-01 | CLUTCH PLATE          |
| 3       | 2YH-084-01 | HANDLE TOTAL ASSEMBLY           | 46      | 2G3-022-01 | IDLE GEAR             |
| 4       | 2E2-030-02 | F20M-050 SCREW                  | 47      | 2Q3-086-01 | RETRACTOR SPRING      |
| 5       | 2E4-018-01 | RETAINER                        | 48      | 2F8-032-01 | GEAR SETTING PLATE    |
| 6       | 2F8-050-01 | CLICK LEAF SPRING HOLDER        | 49      | 2E2-005-03 | B26M-080 SCREW        |
| 7       | 2L3-029-01 | CLICK LEAF SPRING               | 50      | 2W1-054-01 | 052-080 WASHER        |
| 8       | 2D4-008-02 | STAR DRAG LEVER                 | 51      | 2W1-070-01 | 052-080 WASHER        |
| 9       | 2Q1-052-01 | STAR DRAG SPRING                | 52      | 2E5-013-01 | E3.0 RETAINER         |
| 10      | 2E3-029-01 | STAR DRAG NUT                   | 53      | 2YS-080-01 | SPOOL ASSEMBLY        |
| 11      | 2W1-020-01 | 081-130 WASHER                  | 54      | 2C2-057-01 | BRAKE COLLAR          |
| 12      | 2L1-004-01 | SPRING WASHER                   | 55      | 2Z1-023-05 | 814-4 BALL BEARING    |
| 13      | 2W1-035-05 | 080-105 WASHER                  | 56      | 2F3-037-01 | CLICK GEAR            |
| 14      | 2Z1-024-05 | 812-2.5 BALL BEARING            | 57      | 2YM-032-01 | WORM SHAFT ASSEMBLY   |
| 15      | 2A4-022-01 | ONE-WAY CLUTCH INNER TUBE       | 58      | 2C1-059-01 | SPACER                |
| 16      | 2E3-024-01 | CAST CONTROL NUT                | 59      | 2C2-042-01 | WORM SHAFT BUSH       |
| 17      | 2W5-026-01 | SPACER                          | 60      | 2C4-007-01 | LEVEL WIND GUARD      |
| 18      | 2W5-029-01 | CAST CONTROL SPACER             | 61      | 2YR-038-01 | LINE GUIDE ASSEMBLY   |
| 19      | 2E4-019-01 | BEARING RETAINER                | 62      | 2M5-005-01 | LINE GUIDE PIN        |
| 20      | 2Z1-001-05 | 508-2.5 BALL BEARING            | 63      | 2W1-100-01 | 020-068 WASHER        |
| 21      | 2E9-005-01 | O RING                          | 64      | 2E3-014-01 | LINE GUIDE NUT        |
| 22      | 2E0-011-01 | RIGHT SIDE COVER SCREW          | 65      | 2E2-034-01 | A20M-090 SCREW        |
| 23      | 2W1-132-01 | 036-060 WASHER                  | 66      | 2YB-089-02 | BODY ASSEMBLY         |
| 24      | 2YF-029-05 | RIGHT SIDE COVER ASSEMBLY       | 67      | 2W1-046-01 | 051-068 WASHER        |
| 25      | 2E5-006-01 | E2.5 RETAINER                   | 68      | 2F6-050-01 | BEARING HOLDING PLATE |
| 26      | 2Q1-056-01 | RIGHT SIDE COVER SCREW SPRING   | 69      | 2E2-037-01 | A26M-060 SCREW        |
| 27      | 2YZ-007-01 | ONE-WAY CLUTCH BEARING ASSEMBLY | 70      | 2P4-006-01 | LEVEL WIND GUIDE      |
| 28      | 2W2-032-01 | KEY WASHER                      | 71      | 2C4-013-01 | CASTING BAR GUIDE A   |
| 29      | 2W1-126-01 | 082-210 WASHER                  | 72      | 2YS-085-01 | CASTING BAR ASSEMBLY  |
| 30      | 2W3-017-01 | EARED WASHER                    | 73      | 2C4-014-01 | CASTING BAR GUIDE B   |
| 31      | 2W1-111-01 | 100-230 WASHER                  | 74      | 2P2-021-01 | CASTING BAR PIN       |
| 32      | 2W2-025-01 | KEY WASHER                      | 75      | 2P4-008-01 | CASTING BAR SUPPORT   |
| 33      | 2G1-027-01 | DRIVE GEAR                      | 76      | 2E2-003-01 | B26M-036 SCREW        |
| 34      | 2YG-023-01 | OSCILLATING GEAR ASSEMBLY       | 77      | 2E4-011-01 | BEARING RETAINER      |
| 35      | 2A3-027-01 | RATCHET                         | 78      | 2W5-015-01 | CAST CONTROL SPACER   |
| 36      | 2M3-048-01 | DRIVE SHAFT                     | 79      | 2F6-032-01 | CLICK PLATE           |
| 37      | 2Z1-018-05 | 510-3 BALL BEARING              | 80      | 2E2-022-01 | B20M-030 SCREW        |
| 38      | 2G2-010-01 | PINION GEAR                     | 81      | 2F2-020-01 | CLICK SPRING          |
| 39      | 2Q1-031-01 | YOKE SPRING                     | 82      | 2F4-018-01 | CLICK PAWL            |
| 40      | 2A2-039-01 | PINION YOKE                     | 83      | 2F5-089-02 | LEFT SIDE COVER       |
| 41      | 2E2-047-01 | A20M-065 SCREW                  | 84      | 2F7-004-01 | CLICK SWITCH          |
| 42      | 2F8-030-01 | CLUTCH CAM RETAINER             | 85      | 2X3-004-01 | WRENCH                |
| 43      | 2YA-017-01 | CLUTCH CAM ASSEMBLY             | 86      | 2YT-139-01 | SPOOL TOTAL ASSEMBLY  |