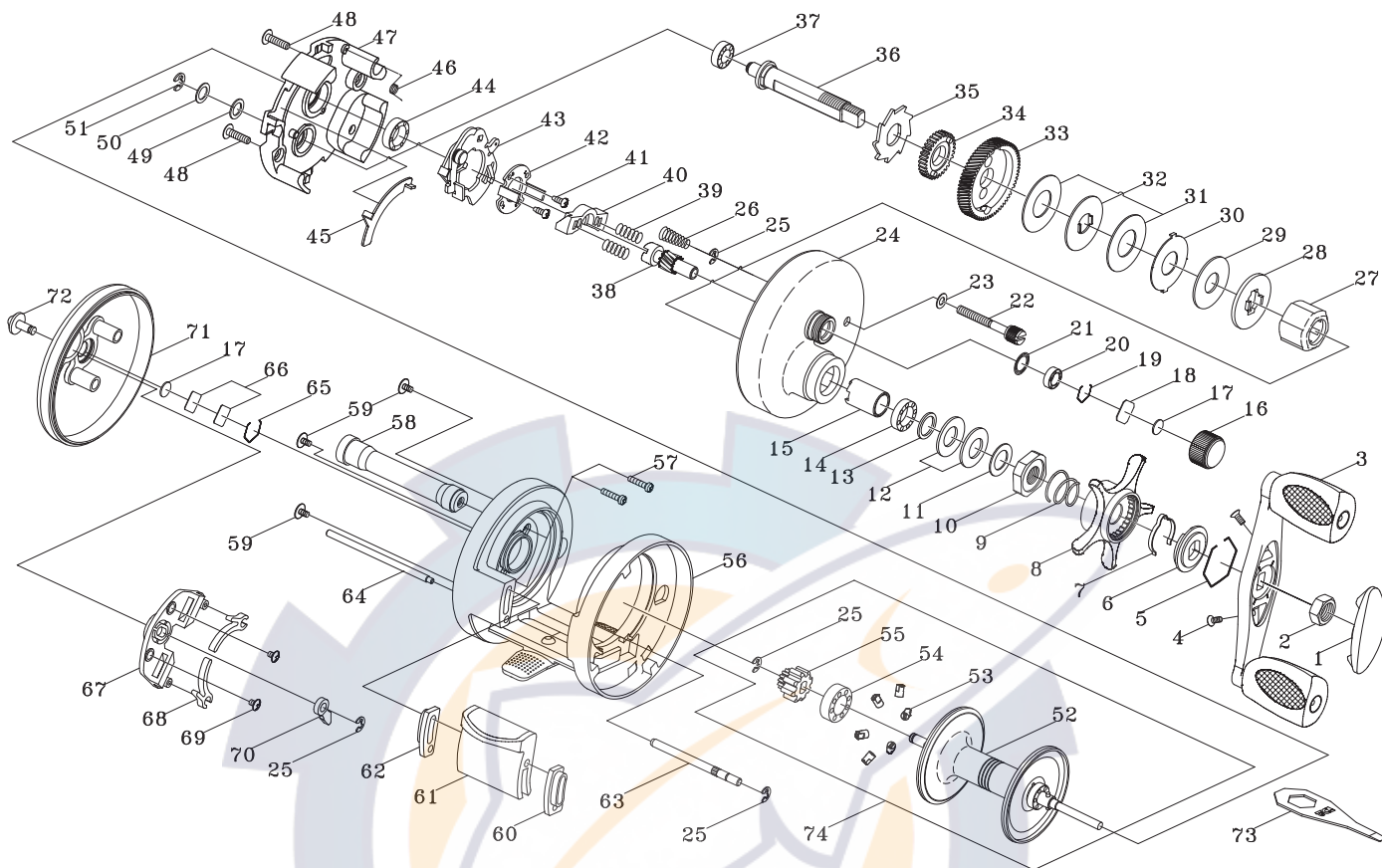




BAIT CASTING REEL

CAIMAN

CT205R



Key NO.	Parts No.	Parts name	Key NO.	Parts No.	Parts name
1	2F5-097-01	HANDLE NUT CAP	38	2G2-010-01	PINION GEAR
2	2E3-016-01	NUT	39	2Q1-031-01	YOKE SPRING
3	2YH-084-01	HANDLE ASSEMBLY	40	2A2-039-01	PINION YOKE
4	2E2-030-02	F20M-050 SCREW	41	2E2-047-01	A20M-065 SCREW
5	2E4-018-01	RETAINER	42	2F8-030-01	CLUTCH CAM RETAINER
6	2F8-050-01	CLICK LEAF SPRING HOLDER	43	2YA-035-01	CLUTCH CAM ASSEMBLY
7	2L3-029-01	STAR DRAG CLICK LEAF SPRING	44	2Z1-010-05	812-3.5 BALL BEARING
8	2D4-008-02	STAR DRAG LEVER	45	2M2-003-01	OSCILLATING SLIDER
9	2Q1-052-01	STAR DRAG SPRING	46	2Q3-086-01	RETRACTOR SPRING
10	2E3-029-01	STAR DRAG NUT	47	2F8-039-01	GEAR SETTING PLATE
11	2W1-020-01	081-130 WASHER	48	2E2-005-03	B26M-080 SCREW
12	2L1-004-01	SPRING WASHER	49	2W1-054-01	052-080 WASHER
13	2W1-035-05	080-105 WASHER	50	2W1-070-01	052-080 WASHER
14	2Z1-024-05	812-2.5 BALL BEARING	51	2E5-013-01	E3.0 RETAINER
15	2A4-022-01	ONE-WAY CLUTCH INNER TUBE	52	2YS-083-01	SPOOL ASSEMBLY
16	2E3-024-01	CAST CONTROL NUT	53	2C2-057-01	BRAKE COLLAR
17	2W5-026-01	SPACER	54	2Z1-023-05	814-4 BALL BEARING
18	2W5-029-01	CAST CONTROL SPACER	55	2F3-041-01	CLICK GEAR
19	2E4-019-01	BEARING RETAINER	56	2YB-098-03	BODY ASSEMBLY
20	2Z1-001-05	508-2.5 BALL BEARING	57	2E2-034-01	A20M-090 SCREW
21	2E9-005-01	O RING	58	2C4-005-01	LEVEL WIND GUARD
22	2E0-011-01	RIGHT SIDE COVER SCREW	59	2E2-003-01	B26M-036 SCREW
23	2W1-132-01	036-060 WASHER	60	2C4-013-01	CASTING BAR GUIDE A
24	2YF-074-04	RIGHT SIDE COVER ASSEMBLY	61	2YS-085-01	CASTING BAR ASSEMBLY
25	2E5-006-01	E2.5 RETAINER	62	2C4-014-01	CASTING BAR GUIDE B
26	2Q1-056-01	RIGHT SIDE COVER SCREW SPRING	63	2P2-021-01	CASTING BAR PIN
27	2YZ-007-01	ONE-WAY CLUTCH BEARING ASSEMBLY	64	2P4-008-03	CASTING BAR SUPPORT
28	2W2-032-01	KEY WASHER	65	2E4-011-01	BEARING RETAINER
29	2W1-126-01	082-210 WASHER	66	2W5-015-01	CAST CONTROL SPACER
30	2W3-017-01	EARED WASHER	67	2F6-032-01	CLICK PLATE
31	2W1-111-01	100-230 WASHER	68	2F2-020-01	CLICK SPRING
32	2W2-025-01	KEY WASHER	69	2E2-022-01	B20M-030 SCREW
33	2G1-027-01	DRIVE GEAR	70	2F4-018-01	CLICK PAWL
34	2YG-023-01	OSCILLATING GEAR ASSEMBLY	71	2F5-108-05	LEFT SIDE COVER
35	2A3-027-01	RATCHET	72	2F7-004-01	CLICK SWITCH
36	2M3-053-01	DRIVE SHAFT	73	2X3-004-01	WRENCH
37	2Z1-018-05	510-3 BALL BEARING	74	2YT-143-01	SPOOL ASSEMBLY