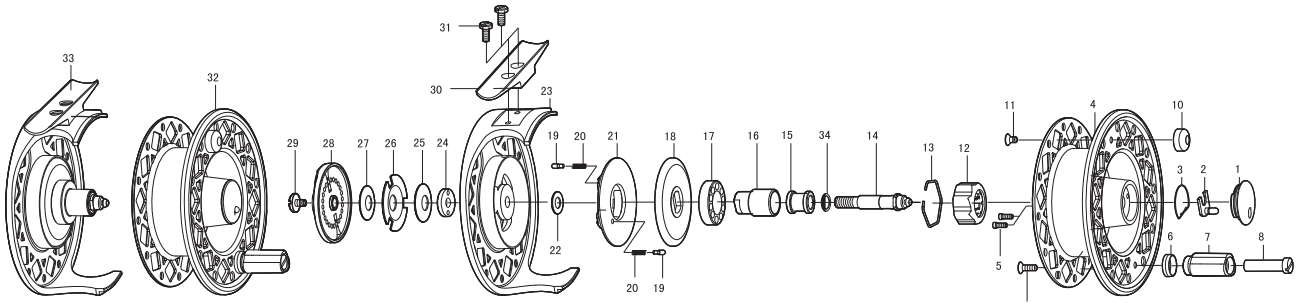


G211R / G209R / G208R / G206R PARTS LIST



Key NO.	Parts NO.	Parts name	Key NO.	Parts NO.	Parts name	
1	2S2-010-03	COOLING SHIELD	26	2W1-187-01	072-256 WASHER	
2	2YE-001-01	SPOOL RELEASE LEVER ASSY	27	2L1-018-01	SPRING WASHER	
3	2Q3-088-01	SPOOL RELEASE LEVER SPRING	28	2D1-055-02	DRAG KNOB	
4	2S1-227-02	SPOOL	29	2E0-041-01	X30M-045 SCREW	
5	2E2-045-01	X20M-050 SCREW	30	2F8-093-01	STAND	
6	2C3-032-02	HANDLE KNOB RING	31	2E0-030-01	STAND SCREW	
7	2H4-048-01	HANDLE KNOB	32	2YT-327-02	SPOOL TOTAL ASSEMBLY	
8	2E0-020-02	HANDLE KNOB SCREW	33	2YB-179-02	BODY TOTAL ASSEMBLY	
9	2E2-052-02	F26M-080 SCREW	34	2W1-087-01	060-080WASHER	
10	2R8-064-02	BALANCER	G208R	1	2S2-010-04	SPOOL CAP
11	2E2-014-02	F26M-060 SCREW	SPECIAL	4	2S1-229-02	SPOOL
12	2YZ-013-01	ONE-WAY CLUTCH BEARING ASSEMBLY	PARTS	23	2B1-103-02	BODY
13	2E4-009-01	DRAG WASHER RETAINER	32	2YT-329-02	SPOOL TOTAL ASSEMBLY	
14	2M3-090-02	SPOOL SHAFT	33	2YB-183-02	BODY TOTAL ASSEMBLY	
15	2C3-045-01	BUSH	G209R	1	2S2-010-05	SPOOL CAP
16	2A4-061-01	ONE-WAY CLUTCH INNER TUBE	SPECIAL	4	2S1-231-02	SPOOL
17	2Z1-008-05	1020-5 BALL BEARING	PARTS	23	2B1-105-02	BODY
18	2YD-071-02	BRAKE DISC ASSY	32	2YT-331-02	SPOOL TOTAL ASSEMBLY	
19	2P1-054-01	CLICK PIN	33	2YB-187-02	BODY TOTAL ASSEMBLY	
20	2Q2-019-01	CLICK PIN SPRING	G211R	1	2S2-010-06	SPOOL CAP
21	2F8-092-01	CLICK HOLDER	SPECIAL	4	2S1-233-02	SPOOL
22	2W1-008-01	048-080 WASHER	PARTS	23	2B1-107-02	BODY
23	2B1-101-02	BODY	32	2YT-333-02	SPOOL TOTAL ASSEMBLY	
24	2E3-054-02	NUT	33	2YB-191-02	BODY TOTAL ASSEMBLY	
25	2L1-017-01	SPRING WASHER				

<http://www.ticaglobal.com>