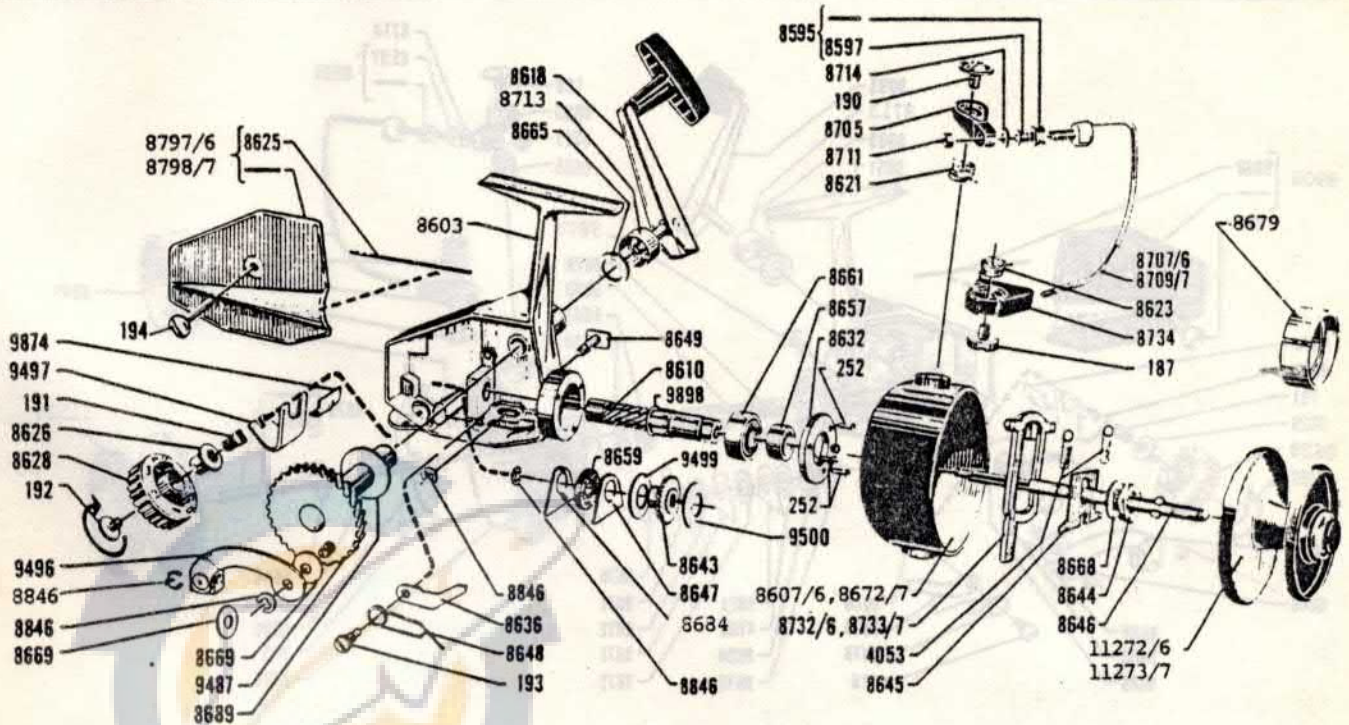
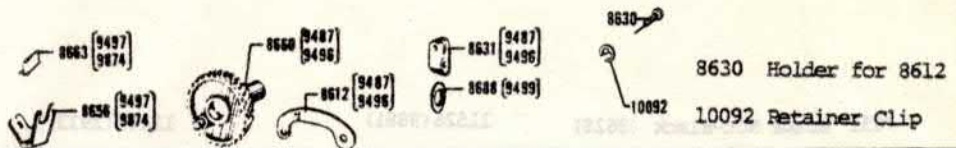


ZEBCO CARDINAL 6-7



Part No.	Description
187	Screw
190	Screw for Bail Arm
191	Screw Brake Arrangement
192	Screw for Bail Nut
193	Dist. Screw Anti-Rev.Hook
194	Screw for Housing Plate
252	Screw
4053	Spring for Bail Stopper
8595	Line Roller & Bushing
8603	Housing
8607 6	Winding Cup
8610	Shaft for Worm Gear
8618	Crank Complete
8621	Bail Spring, Right
8623	Bail Spring, Left
8625	Click Spring
8626	Cashing
8628	Brake Nut
8632	Ball Bearing Holder
8636	Anti-Reverse Hook
8643	Click Washer
8644	Winding Cup Nut
8645	Drive Washer
8646	Main Shaft
8647	Friction Washer
8648	Stop Spring
8649	Anti-Reverse Button
8657	Distance Tube
8714	Protecting Washer
8684	Spring Friction Washer

Part No.	Description
8659	Locking Washer
8661	Ball Bearing
8665	Felt Packing
8679	Arbor for Spool
8668	Locking Washer
8669	Washer
8672 7	Winding Cup
8689	Spring Washer
8707 6	Bail
8709 7	Bail
8711	Nut for Bail
8713	Protecting Washer
8716	Crank Arm
8732 6	Bail Stopper
8733 7	Bail Stopper
8734	Bail Plate
8797 6	Housing Plate
8798 7	Housing Plate
8846	Locking Washer
9487	Main Gear Compl.w/Shaft
9496	Connecting Link
9497	Brake Arm
9499	Friction Washer
9500	Washer
9874	Insert Support
9898	O-Ring
11272 6	Spool
11273 7	Spool
8705	Bail Arm

PLEASE ORDER BY PART NUMBER

Zabco Division Brunswick Corporation, Box 270, Tulsa OK 74101 USA 918-836-5581

