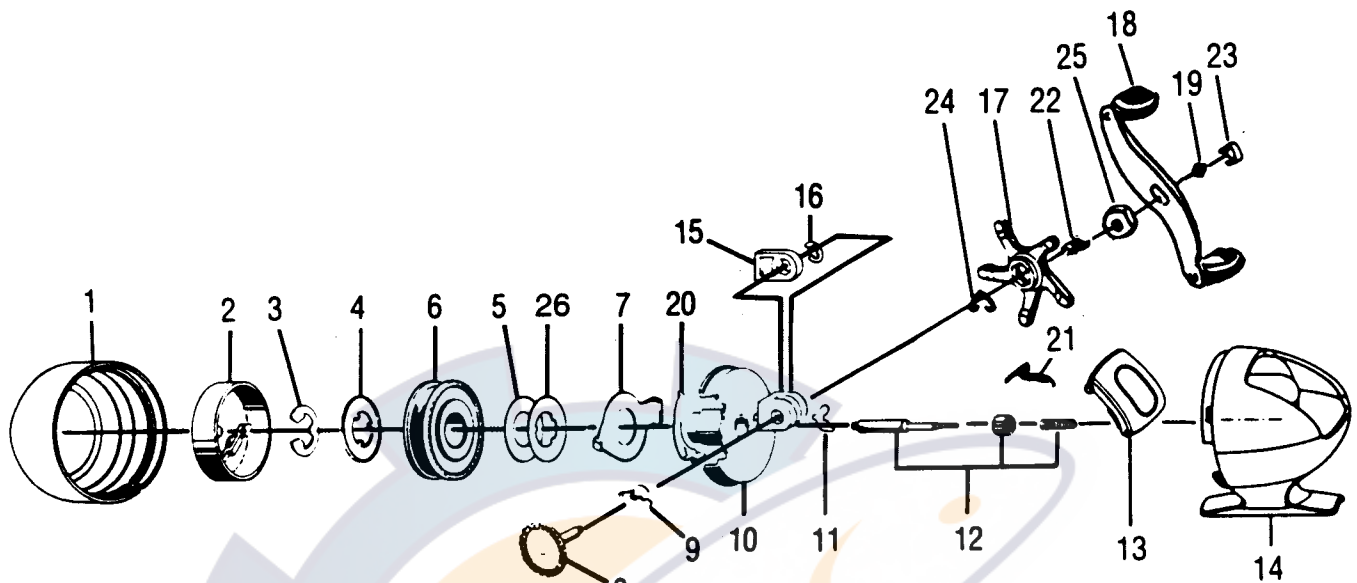


# ZEBCO LITE ROCK I and II



## LITE ROCK I

Key No.	Part No.	Description	Price
1	XJ324-01	Front Cover Assembly	4.90
2	QY310-02	Spinnerhead Assembly	2.50
3	XZ034	Spool Clip	.34
4	QY036	Spool Lip	.50
5	BJ108	Flat Drag Washer	.39
6	QY321-6H	Spool Assembly	4.95
7	QY027	Clutch Ring	.91
8	QY308-03	Crankshaft Assembly	.35
9	JY061	Pawl Actuator	.45
10	QY301-03	Body Assembly	6.75
11	JY060	Anti-Reverse Pawl	.45
12	QY315	Centershaft Assembly	3.64
13	XJ009-01	Thumb Button	1.05
14	XJ023-01	Backcover	6.35
15	JY054	Slide Drag Actuator	1.31
16	JY121	Retainer Clip	.39
17	XJ032-02	Drag Star	1.10
18	UJ318-03	Crankhandle Assembly	1.05
19	XZ003-1	Cranknut	.43
20	RY033	Ratchet Spring	.50
21	QY038	Thumb Button Spring	.50
22	QY026-03	Crankshaft Bushing	.80
23	UJ079-02	Cranknut Cover	.26
24	UJ064-01	Drag Star Clicker	.41
25	UJ107-01	Crankhandle Washer	.36
26	BJ040	Spool Washer	.58

## LITE ROCK II

Key No.	Part No.	Description	Price
1	XJ324-02	Front Cover Assembly	4.90
2	QY310-02	Spinnerhead Assembly	2.50
3	XZ034	Spool Clip	.34
4	QY036	Spool Lip	.50
5	BJ108	Flat Drag Washer	.39
6	QY321-05	Spool Assembly	4.95
7	QY027	Clutch Ring	.91
8	QY308-04	Crankshaft Assembly	.35
9	JY061	Pawl Actuator	.45
10	QY301-04	Body Assembly	6.75
11	JY060	Anti-Reverse Pawl	.45
12	QY315-02	Centershaft Assembly	4.50
13	XJ009-01	Thumb Button	1.05
14	XJ023-02	Backcover	6.35
15	JY054	Slide Drag Actuator	1.31
16	JY121	Retainer Clip	.39
17	XJ032-02	Drag Star	1.10
18	UJ318-04	Crankhandle Assembly	2.05
19	XZ003-1	Cranknut	.43
20	RY033	Ratchet Spring	.50
21	QY038	Thumb Button Spring	.50
22	QY026-03	Crankshaft Bushing	.80
23	UJ079-02	Cranknut Cover	.26
24	UJ064-01	Drag Star Clicker	.41
25	UJ107-01	Crankhandle Washer	.36
26	BJ040	Spool Washer	.58

Prices subject to change without notice. Prices do not include postage and handling.

**PLEASE ORDER BY PART NUMBER**

Rev. 6/95

Zebco Division Brunswick Corporation, Box 270, Tulsa, OK 74101 USA 918-836-5581

