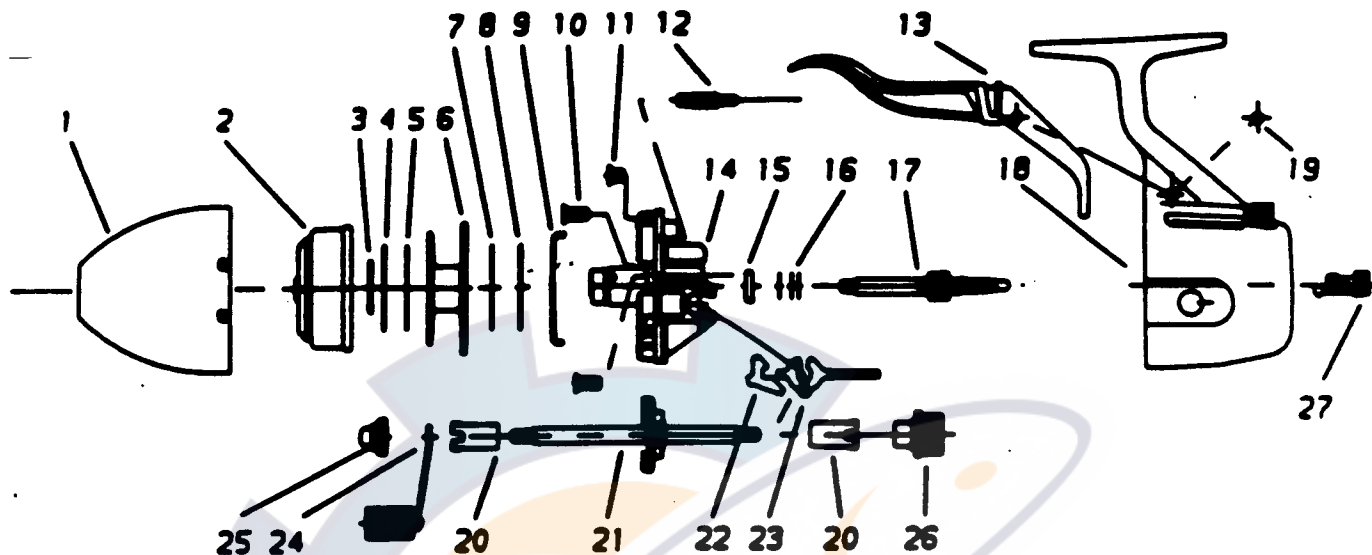


# ZEBCO 22TS



Key No.	Part No.	Description	Price
1	SE324-1	FRONT COVER	5.30
2	SE310	SPINNERHEAD	4.07
3	SE034	SPOOL CLIP	.36
4	SE040-2	SPOOL W/S - STEEL	.98
5	SE108-2	DRAG W/S - PLASTIC	.52
6	SE321-1	SPOOL W/LINE	5.21
7	SE108-1	DRAG W/S - PLASTIC	.52
8	SE040-1	SPOOL W/S - STEEL	.46
9	SE027	CLUTCH RING	.98
10	KE126	SCREWS (2)	.48
11	SE126	SCREW	.67
12	TE054	DRAG SCREW	2.16
13	TE350	TRIGGER	2.63
14	SE301	BODY	9.22
15	SE017	CENTER BUSHING	.72
16	SE070	WASHERS - PLASTIC	.31
17	SE315	CENTER SHAFT ASSY	5.41
18	TE323-1	BACK COVER	6.95
19	CJ172-3	FINGER BRAKE PIN	.56
20	KE026	CRANK BUSHING (2)	.97
21	TE308	CRANK SHAFT ASSY	3.19
22	KE060	ANTI-REVERSE PAWL	.54
23	TE061	ANTI-REVERSE DRAG	.93
24	TE318	HANDLE ASSY	3.04
25	AZ003	CRANK NUT	.56
26	TE068	CAP	1.49
27	TE002	ANTI-REVERSE ACTUATOR	1.24

Prices subject to change without notice. Prices do not include postage and handling.

**PLEASE ORDER BY PART NUMBER**

Rev. 5/93

Zebco Division Brunswick Corporation, Box 270, Tulsa, OK 74101 USA 918-836-5581

