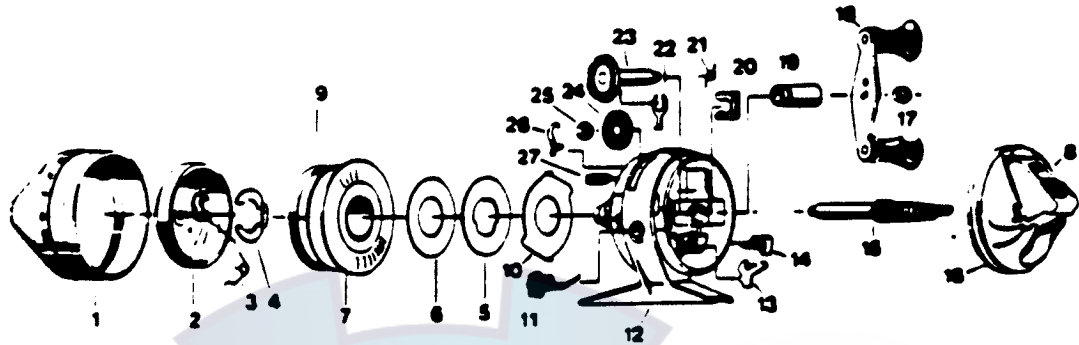


ZEBCO 33N



KEY PART NO. NO.	DESCRIPTION	PRICE
1 RY324-5	FRONT COVER	3.44
2 RY310-1	SPINNERHEAD ASSY.	4.07
3 RY049-1	PICK UP ARM SPRING	.39
4 RY036-1	SPOOL RETAINER CLIP	.39
5 CJO40-1	SPOOL WASHER (METAL)	.88
6 CJ108-1	FLAT WASHER	.36
7 RY021-1	SPOOL (EMPTY)	2.12
7 RY321-10M	WOUND SPOOL 108 MONO H.P.	5.21
8 RY309-1	THUMB BRAKE	.98
9 RY036-1	SPOOL LIP	.58
10 RY027-1	CLUTCH RING	.85
11 RY014-1	BAIT CLICK	2.12
12 RY301-2	BODY ASSY.	9.17
13 RY060-1	ANTI-REVERSE PAWL	.52
14 RY002	ANTI-REVERSE KNOB	.72
15 RY315-3	CENTER SHAFT ASSY.	3.15
16 RY323	BACK COVER S/A	3.39
17 AZ003	CRANK NUT	.52
18 RY318-3	CRANK HANDLE S/A	2.01
19 RY026-1	CRANK BEARING	.52
20 RY029-1	BEARING RETAINER CLIP	.29
21 RY064-1	DRAG ADJUSTMENT SPRING	.41
22 JY061	PAWL ACTUATOR	.41
23 RY308	CRANK SHAFT ASSY.	2.83
24 RY332-1	DRAG ADJ. WHEEL S/A	.77
25 RY077-1	HEX NUT	.41
26 RY033	RATCHET SPRING	.39
27 BJ054-2	CLUTCH SCREW	.62

Prices subject to change without notice. Prices do not include postage and handling.

PLEASE ORDER BY PART NUMBER

Rev. 11/90

Zebco Division Brunswick Corporation, Box 270, Tulsa, OK 74101 USA 918-638-5881

