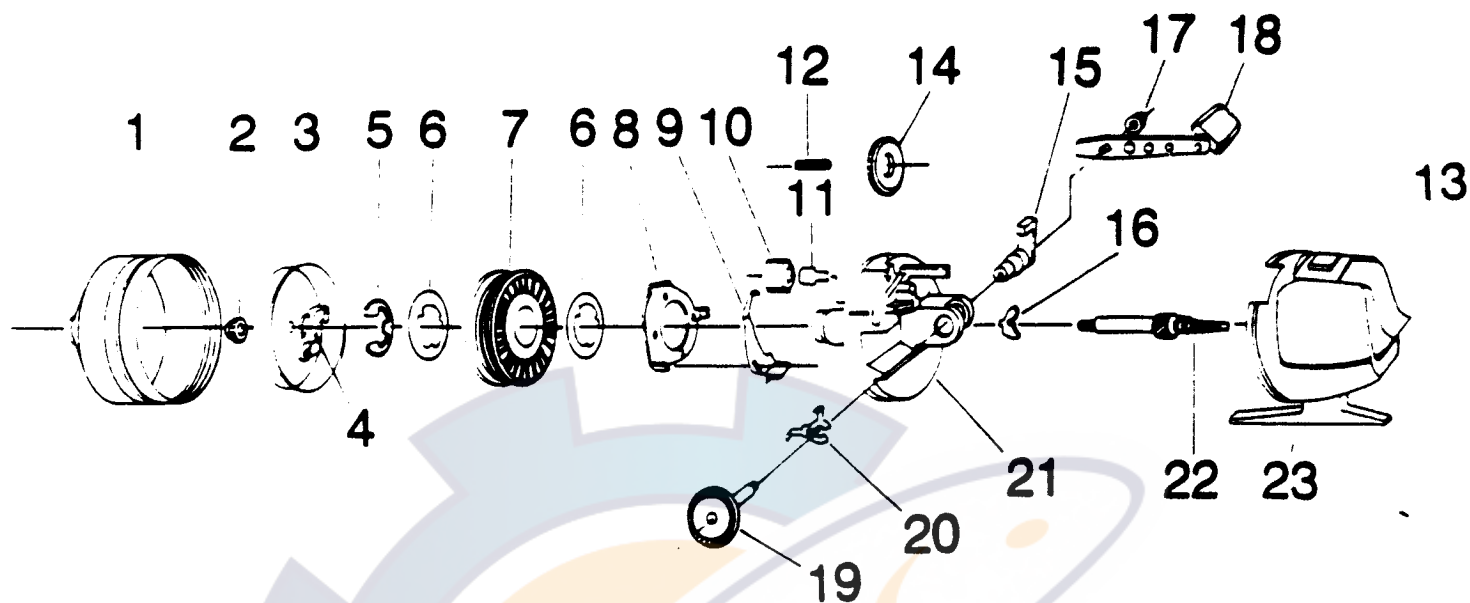


ZEBCO 606 (1986 Model)



KEY PART

NO. NO.	DESCRIPTION	PRICE
1 JY324-6	FRONT COVER S/A	2.59
3 JY310	SPINNERHEAD	4.64
4 JY049	PICKUP PIN ARM SPRING	.41
5 JY034	SPOOL CLIP	.41
6 NY040	SPOOL WASHER	.77
7 JY021	SPOOL	2.00
7 JY321-8P	WIND SPOOL 89 LINE	4.87
8 AE027	CLUTCH RING	1.03
9 RY033	RATCHET SPRING	.39
10 AE169	PISTON WITH SPRING	.63
11 AE168	DUAL DRAG CLICK SPRING	.34
12 BJ054-2	CLUTCH SCREW	.62
13 SY009	THUMBSTOP	.79
14 RY332-1	DRAG ADJ. WHEEL S/A	.77
15 AE026	DRAG LEVER	2.30
16 JY060	ANTI-REVERSE PAWL	.41
17 AZ003	CRANK NUT	.52
18 SY318	CRANK HANDLE S/A	2.41
19 JY308	CRANK GEAR SUB-ASSEMBLY	2.83
20 SY081	ANTI-REV. PAWL ACTUATOR	.58
21 AE301-2	1220N/606 BODY S/A	3.73
22 WY315-2	CENTER SHAFT S/A	4.02
23 SY323	BACK COVER S/A	3.73

Prices subject to change without notice. Prices do not include postage and handling.

PLEASE ORDER BY PART NUMBER

Rev. 11/90

Zebco Division Brunswick Corporation, Box 270, Tulsa, OK 74101 USA 918-638-6661

