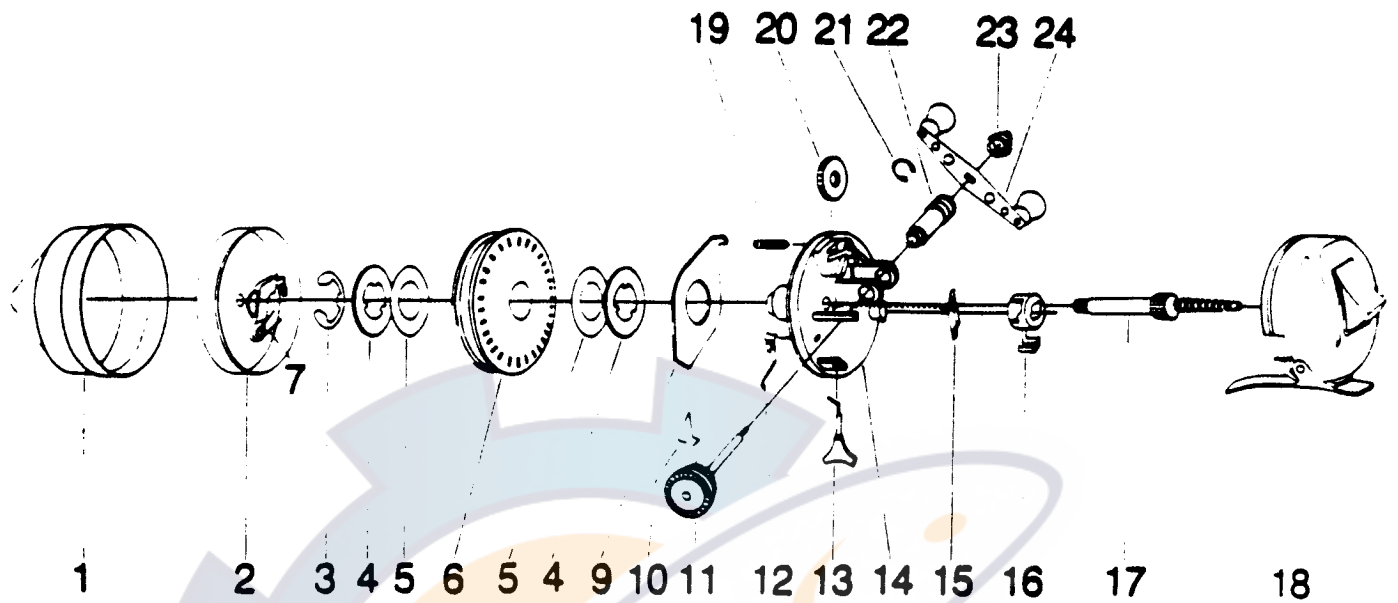


ZEBCO 808 (1986 Model)



KEY PART NO. NO.	DESCRIPTION	PRICE
1 EE324-1	FRONT COVER S/A	3.73
2 EE310-1	SPINNERHEAD ASSY.	6.03
3 G2034-1	SPOOL RETAINER CLIP	.52
4 CJO40-1	SPOOL WASHER (METAL)	.88
5 EE108	SPOOL WASHER	.34
6 EE021	SPOOL	3.90
6 EE321-20H	WOUND SPOOL-MONO 200HI PR	6.02
6 EE321-90B	WOUND SPOOL/90B BRAIDED	6.65
7 P2049	PICK-UP PIN SPRING	.39
8 PY009	THUMB STOP	.98
9 EE027	CLUTCH RING	2.30
10 EE052	ANTI-REVERSE DRAG	.34
11 EE308-2	CRANK SHAFT S/A	4.47
12 RY033	RATCHET SPRING	.39
13 EE014	BAIT CLICKER	1.27
14 EE301	808/888 BODY S/A	4.71
15 EE063	ANTI-REVERSE PAWL	.46
16 EE002	A/R ACTUATOR	.63
17 EE315	CENTER SHAFT S/A	3.44
18 EE323-1	BACK COVER S/A	5.44
19 EE054	CLUTCH SCREW	.69
20 EE032	CLUTCH WHEEL	2.00
21 EE121	RETAINER CLIP	.46
22 EE026	CRANK SHAFT BUSHING	1.43
23 Q2003	CRANK NUT	.67
24 ME318-1	CRANK HANDLE S/A	5.36

Prices subject to change without notice. Prices do not include postage and handling.

PLEASE ORDER BY PART NUMBER

Rev. 11/80

Zebco Division Brunswick Corporation, Box 270, Tulsa, OK 74101 USA 918-636-6681

