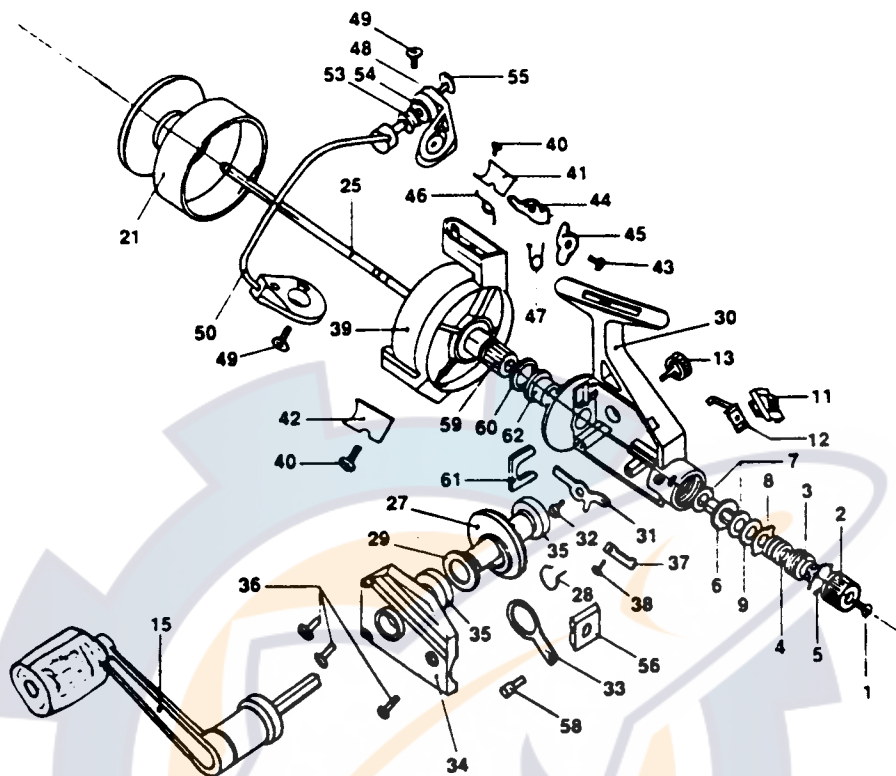


# ZEBCO® RX20



Key No.	Part No.	Description	Price	Key No.	Part No.	Description	Price
1	JK079	DRAG SCREW	.39	37	JK068	CLICK CLAW	.91
2	JK032-1	DRAG NUT	1.33	38	JK067	CLICK CLAW SPRING	.39
3	JK127-1	PRESSURE SLEEVE	.75	39	JK009-1	ROTOR	4.41
4	JK128	PRESSURE SPRING	1.61	40	JK085	ROTOR COVER SCREW	.39
5	JK070-1	SAFETY RING	.91	41	JK087-1	ROTOR COVER (L)	1.04
6	JK104	DRAG WHEEL	1.04	42	JK024-1	ROTOR COVER (S)	.85
7	JK030	BRAKE DISC A	.58	43	JK037	STOP LEVER SCREW	.39
8	JK039	NOTCHED DISC B	.58	44	JK019	STOP LEVER (L)	.85
9	JK046	BRAKE DISC C	.58	45	JK018	STOP LEVER (S)	.85
10	JK129	LOCK WASHER	.58	46	JK049	TURNING SPRING	.91
11	JK059	ANTI-REVERSE LEVER	.75	47	JK047-1	STOP LEVER SPRING	.91
12	JK090-1	ANTI-REVERSE SPRING	1.55	48	JK007-1	ANGLE LEVER	1.83
13	JK073	HANDLE SCREW CAP	.98	49	JK051	ANGLE LEVER SCREW	.39
15	JK318-1	HANDLE	5.45	50	JK347-1	BAIL ASSY.	3.68
21	JK321-1	SPOOL	4.31	53	JK004	LINE ROLLER	1.04
25	JK315-1	MAIN SHAFT ASSY.	2.87	54	JK016	LINE ROLLER WASHER	.58
27	JK012-1	DRIVE GEAR	3.39	55	JK108	LINE ROLLER SCREW	.39
28	JK213	DRIVE GEAR SPRING	.69	56	JK081	SLIDE	.85
29	JK026	DRIVE GEAR WASHER	.58	58	JK084	SLIDE SCREW	.63
30	JK301-1	BODY	6.89	59	JK011-1	PINION GEAR	2.30
31	JK063	ANTI-REVERSE PAWL	.91	60	JK010	PINION GEAR WASHER	.39
32	JK089	A/R PAWL SCREW	.39	61	JK125-1	ROTOR HOLDING PLATE	.39
33	JK025-1	OSCILLATOR GUIDE	1.26	62	JK126	PINION GEAR BUSHING	.63
34	JK323-1	SIDE PLATE	2.69				
35	JK013	SIDE PLATE BUSHING	.75				
36	JK057	SIDE PLATE SCREW	.39				

Prices subject to change without notice. Prices do not include postage and handling.

**PLEASE ORDER BY PART NUMBER**

Rev. 5/93

Zebco Division Brunswick Corporation, Box 270, Tulsa, OK 74101 USA 918-836-5581

